

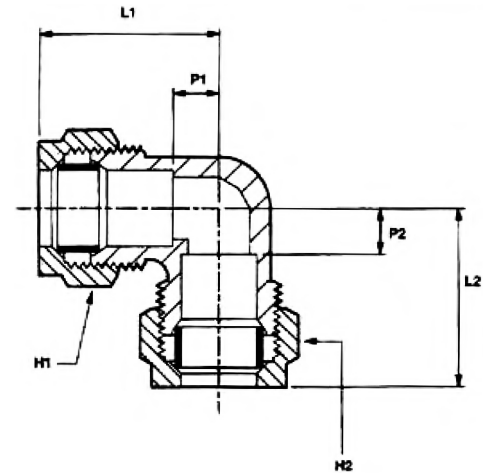
Elbow, Imperial

Wade



Features & Benefits

- 90° Elbow configuration
- Enables connection of two tubes of the same outside diameter



| Part No | Tube OD | Tube OD | L1 Length | L2 Length | H1 Hex A/F | H2 A/F | P1 Abutment | P2 Abutment |
|-----------|---------|---------|-----------|-----------|------------|--------|-------------|-------------|
| WADE-2000 | 1/8" | 1/8" | 0.718" | 0.718" | 0.445" | 0.445" | 0.25" | 0.25" |
| WADE-2001 | 3/16" | 3/16" | 0.718" | 0.718" | 0.445" | 0.445" | 0.25" | 0.25" |
| WADE-2003 | 1/4" | 1/4" | 0.812" | 0.812" | 0.601" | 0.601" | 0.25" | 0.25" |
| WADE-2005 | 5/16" | 5/16" | 0.812" | 0.812" | 0.601" | 0.601" | 0.25" | 0.25" |
| WADE-2008 | 3/8" | 3/8" | 1.031" | 1.031" | 0.82" | 0.82" | 0.375" | 0.375" |
| WADE-2011 | 1/2" | 1/2" | 1.093" | 1.093" | 0.92" | 0.92" | 0.312" | 0.312" |