

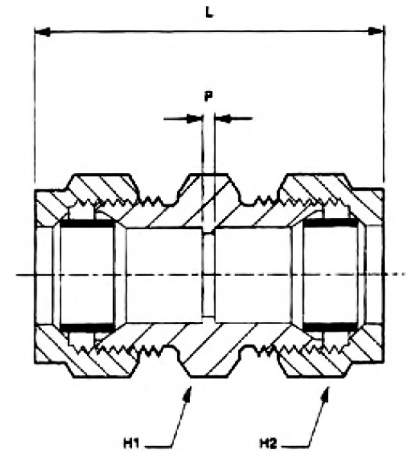
# Equal Ended Coupling, Imperial

# Wade



## Features & Benefits

- In-line configuration
- Enables connection of two tubes of the same outside diameter



Part No	Tube OD	L Length	H1 Hex A/F	H2 Hex A/F	P Abutment
WADE-1040	1/8"	1.093"	0.445"	0.445"	0.156"
WADE-1041	3/16"	1.093"	0.445"	0.445"	0.156"
WADE-1043	1/4"	1.25"	0.601"	0.601"	0.125"
WADE-1045	5/16"	1.25"	0.601"	0.601"	0.125"
WADE-1048	3/8"	1.406"	0.71"	0.82"	0.093"
WADE-1051	1/2"	1.625"	0.92"	0.92"	0.062"
WADE-1053	5/8"	1.875"	1.1"	1.2"	0.125"
WADE-1054	3/4"	1.937"	1.2"	1.39"	0.125"