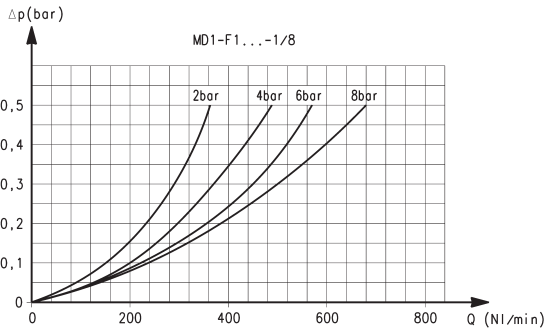


# Series MD modular FRL units

## Series MD filters

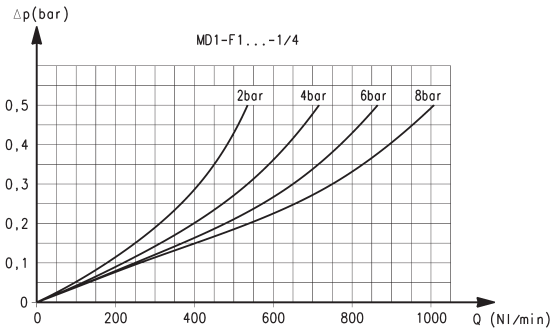


FLOW DIAGRAMS for models with 5 µm filtering element



Ports with interchangeable 1/8 threaded cartridges

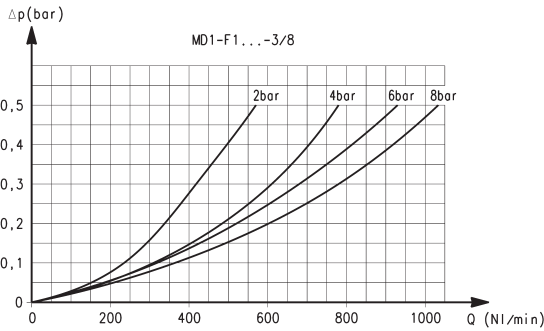
Δp = Pressure drop  
Q = Flow



Ports with interchangeable 1/4 threaded cartridges

Δp = Pressure drop  
Q = Flow

FLOW DIAGRAMS for models with 5 µm filtering element



Ports with interchangeable 3/8 threaded cartridges

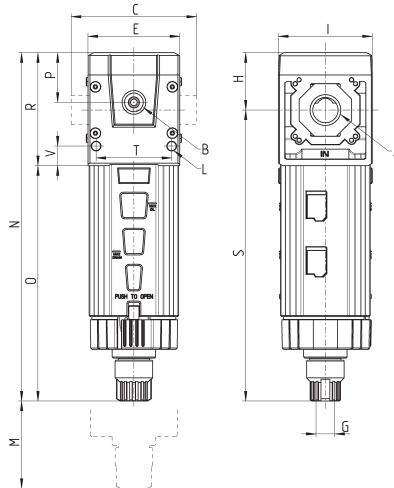
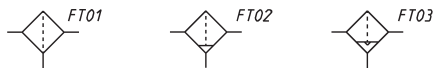
Δp = Pressure drop  
Q = Flow

Products designed for industrial applications.  
General terms and conditions for sale are available on [www.camozzi.com](http://www.camozzi.com).

### Series MD filters - dimensions



PNEUMATIC SYMBOLS LEGEND:  
 FT01 = filter with direct G1/8 exhaust  
 FT02 = filter with semi-automatic manual drain  
 FT03 = filter with automatic/depressuring drain



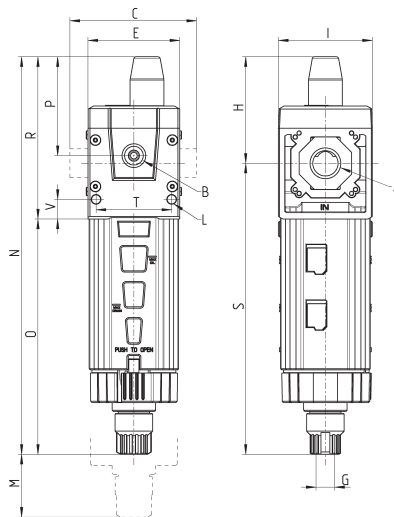
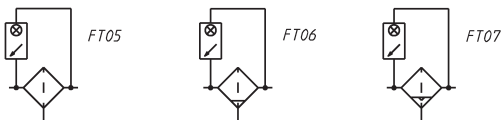
#### DIMENSIONS

Mod.	A	B	C	E	G	H	I	L	M	N	O	P	R	S	T	V	Weight (Kg)
<b>MD1-F000</b>	-	G1/8	42	42	G1/8	26.2	43	Ø4	90	159.4	107.7	22.7	51.7	133.2	34.6	9	0.2
<b>MD1-F000-1/8</b>	G1/8	G1/8	42	42	G1/8	26.2	43	Ø4	90	159.4	107.7	22.7	51.7	133.2	34.6	9	0.2
<b>MD1-F000-1/4</b>	G1/4	G1/8	42	42	G1/8	26.2	43	Ø4	90	159.4	107.7	22.7	51.7	133.2	34.6	9	0.2
<b>MD1-F000-3/8</b>	G3/8	G1/8	42	42	G1/8	26.2	43	Ø4	90	159.4	107.7	22.7	51.7	133.2	34.6	9	0.2
<b>MD1-F000-6</b>	Ø6	G1/8	47	42	G1/8	26.2	43	Ø4	90	159.4	107.7	22.7	51.7	133.2	34.6	9	0.2
<b>MD1-F000-8</b>	Ø8	G1/8	62	42	G1/8	26.2	43	Ø4	90	159.4	107.7	22.7	51.7	133.2	34.6	9	0.2
<b>MD1-F000-10</b>	Ø10	G1/8	67	42	G1/8	26.2	43	Ø4	90	159.4	107.7	22.7	51.7	133.2	34.6	9	0.2

### Series MD filters with visual blockage indicator - dimensions



PNEUMATIC SYMBOLS LEGEND:  
 FT05 = filter with direct G1/8 exhaust and visual blockage indicator  
 FT06 = filter with semi-automatic manual drain and visual blockage indicator  
 FT07 = filter with automatic/depressuring drain and visual blockage indicator



#### DIMENSIONS

Mod.	A	B	C	E	G	H	I	L	M	N	O	P	R	S	T	V	Weight (Kg)
<b>MD1-F001</b>	-	G1/8	42	42	G1/8	48.7	43	Ø4	90	181.9	107.7	45.2	74.2	133.2	34.6	9	0.2
<b>MD1-F001-1/8</b>	G1/8	G1/8	42	42	G1/8	48.7	43	Ø4	90	181.9	107.7	45.2	74.2	133.2	34.6	9	0.2
<b>MD1-F001-1/4</b>	G1/4	G1/8	42	42	G1/8	48.7	43	Ø4	90	181.9	107.7	45.2	74.2	133.2	34.6	9	0.2
<b>MD1-F001-3/8</b>	G3/8	G1/8	42	42	G1/8	48.7	43	Ø4	90	181.9	107.7	45.2	74.2	133.2	34.6	9	0.2
<b>MD1-F001-6</b>	Ø6	G1/8	47	42	G1/8	48.7	43	Ø4	90	181.9	107.7	45.2	74.2	133.2	34.6	9	0.2
<b>MD1-F001-8</b>	Ø8	G1/8	62	42	G1/8	48.7	43	Ø4	90	181.9	107.7	45.2	74.2	133.2	34.6	9	0.2
<b>MD1-F001-10</b>	Ø10	G1/8	67	42	G1/8	48.7	43	Ø4	90	181.9	107.7	45.2	74.2	133.2	34.6	9	0.2

# Series MD modular FRL units

## Series MD coalescing filters



Ports with interchangeable cartridges: threaded (1/8, 1/4, 3/8) or integrated with super-rapid fitting for tube with Ø 6, 8 and 10 mm.

Modular assembly

Bowl with technopolymer cover and bayonet-type mounting



- » High performance and high purity compressed air
- » Air quality according to ISO 8573-1:2010 standard, Class 1.8.1 and Class 2.8.2
- » Visual blockage indicator
- » Condensate drain options: semi-automatic manual, automatic protected depressurisation, direct G1/8 exhaust
- » Bowl locking system reducing the risk of accidents
- » Additional air intakes with the same characteristics of the inlet air (line)

The coalescing filter is a fine oil separator filter that removes the solids with dimensions from 0.1 to 5 µm and oil vapours with a concentration from 0.01 to 0.1 mg/m<sup>3</sup>. For a correct functioning they require a pre-filtering. Given the characteristic of this filter, it is recommended to replace the filter element at least every 12 months or 8000 working hours.

Thanks to the solution adopted for the pneumatic connection, it is possible to equip the same element with interchangeable cartridges that can either be threaded, or with an integrated super-rapid fitting, both types available in different sizes. Intermediate cartridges can be also integrated to join multiple functions or with derivation to draw air. An additional air intake, with the same characteristic of the outlet air, is available on the front side and on the rear one. This intake can be used by utilities with limited consumption.

### GENERAL DATA

<b>Construction</b>	modular, compact with filtering element in BOROSILICATE	
<b>Materials</b>	see TABLE OF MATERIALS (pag. 3/0.10.02)	
<b>Ports</b>	with interchangeable cartridges: 1/8, 1/4 and 3/8 threaded or integrated with super-rapid fitting for tube with Ø 6, 8 and 10 mm	
<b>Condensate capacity</b>	24 cc	
<b>Fixing</b>	vertical in-line; wall-mounting by means of through holes in the body or with a support bracket	
<b>Operating temperature</b>	-5°C + 50°C up to 16 bar	
<b>Condensate drain</b>	semi-automatic manual, automatic protected depressurisation, direct G1/8 exhaust	
<b>Quality of delivered air according to ISO 8573-1 2010</b>	Class 2.8.2 with 1 µm filtering element (pre-filtering with Class 6.8.4 is recommended) Classe 1.8.1 with 0.01 µm filtering element (pre-filtering with Classe 2.8.2 is recommended)	
<b>Operating pressure</b>	0.3 + 16 bar	
<b>Nominal flow</b>	see FLOW DIAGRAMS (pag. 3/0.10.03 and 3/0.10.04)	
<b>Oil retain efficiency</b>	99.80% (0.01µm)	97% (1µm)
<b>Particles retain efficiency</b>	99.99999% (0.01µm)	99.999% (1µm)
<b>Fluid</b>	compressed air	

Products designed for industrial applications.  
General terms and conditions for sale are available on [www.camozzi.com](http://www.camozzi.com).

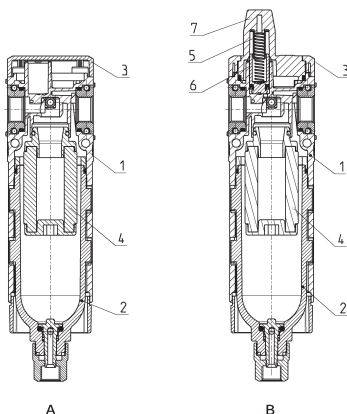
### CODING EXAMPLE

MD	1	-	FC	0	0	0	-	1/8
----	---	---	----	---	---	---	---	-----

<b>MD</b>	SERIES
<b>1</b>	DIMENSION: 1 = 42 mm
<b>FC</b>	COALESCING FILTER
<b>0</b>	FILTERING ELEMENT: 0 = 0,01 µm 1 = 1 µm
<b>0</b>	CONDENSATE DRAIN: 0 = semiautomatic-manual drain 5 = automatic drain, protected depressurisation 8 = direct G1/8 exhaust
<b>0</b>	VISUAL BLOCKAGE INDICATOR: 0 = not present 1 = present
<b>1/8</b>	PORTS (IN - OUT)*: = without cartridges 1/8 = G1/8 1/4 = G1/4 3/8 = G3/8 6 = tube Ø6 8 = tube Ø8 10 = tube Ø10
* NOTE: if the inlet (IN) cartridge is different from the outlet (OUT) cartridge, both dimensions shall be indicated. Example: MD1-FC000-1/4-10	
For further information about condensate drains and filtering elements see the section 3/5.10.	

### Series MD coalescing filters - materials

A = filter  
B = filter with visual blockage indicator



PARTS	MATERIALS
<b>1 = Body</b>	Polyamide
<b>2 = Tank</b>	Polycarbonate
<b>3 = Covering</b>	Polyamide
<b>4 = Filtering element</b>	Borosilicate
<b>5 = Upper spring</b>	Stainless steel
<b>6 = Piston</b>	Anodized aluminium
<b>7 = Visual blockage indicator</b>	Polycarbonate
<b>Seals</b>	NBR