



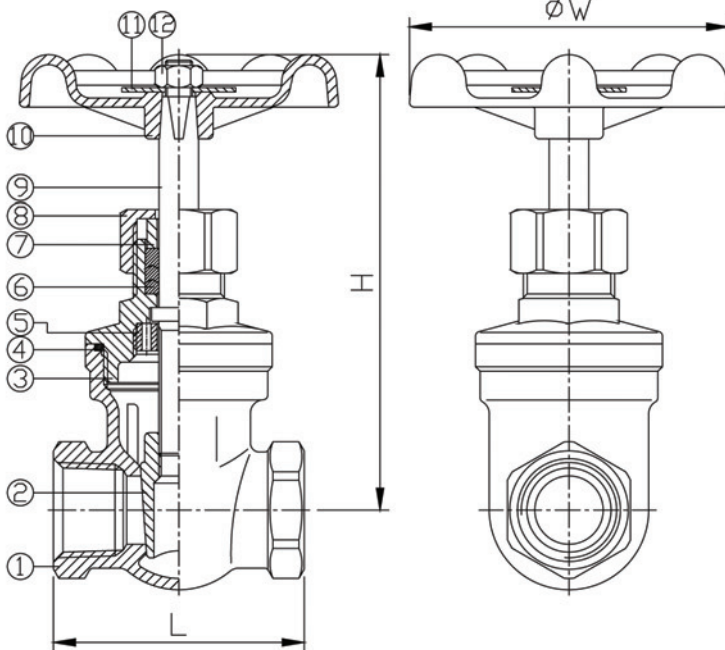
SCREWED END GATE VALVE

2029



FEATURES

- 1/4"~2-1/2" (DN8~DN65)
- W.P. : 200 WOG
- W.T. : -20°C~200°C (-4°F~392°F)
- Investment casting
- Non-rising stem
- Thread type : ASTM B1.20.1 (NPT)
DIN2999 & BS21
ISO228/1 & ISO7/1



ITEM	PARTS	MATERIAL
1	BODY	ASTM A351-CF8M
2	DISC	
3	BONNET	
4	SEAL	PTFE
5	GASKET	AISI 304
6	PACKING	PTFE
7	GLAND RING	AISI 304
8	CAP NUT	ASTM A351-CF8M
9	STEM	AISI 316
10	HANDLE	ALUMINUM
11	NAMEPLATE	
12	STEM NUT	AISI 304

DN	L	H	W	Weight (kg)
15	55	117.5	70	0.433
20	60	127	70	0.628
25	65	132.5	80	0.818
32	75	157	80	1.12
40	85	178.5	90	1.622
50	95	207.5	100	2.27
65	116	210	100	5.22

unit:mm

NPS	L	H	W	Weight (lb)
1/2"	2.17	4.63	2.76	0.95
3/4"	2.36	5	2.76	1.38
1"	2.56	5.22	3.15	1.8
1-1/4"	2.95	6.18	3.15	2.47
1-1/2"	3.35	7.03	3.54	3.58
2"	3.74	8.17	3.94	5
2-1/2"	4.57	8.27	3.94	11.51

unit:in