

Dual Sealing WRAS/Gas Approved Ball Valve



- Manufactured in accordance to EN331
- Threads to EN10226-1, ISO 228 parallel female threads
- Full port to DIN 3357 for maximum flow
- PED 97/23 CE

Quality:

- 24h 100% seal test guaranteed
- Dual sealing system allows valve to be operated in either direction, making installation easier
- No metal to metal moving parts
- Clear handle markings showing position of valve
- Silicone-free lubricant on all seals
- Blowout proof nickel-plated brass stem
- Two FPM o-rings at the stem for maximum safety
- Pure PTFE self-lubricating seals with flexible lip design

Approvals:

WRAS
BSI
RoHS Compliant
DIN-DVGW



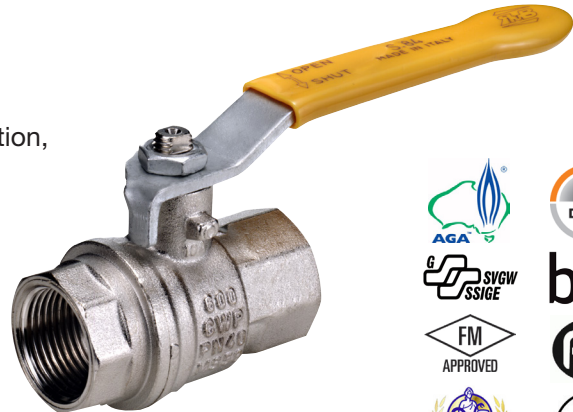
Working Temperature:
-40°C to +170°C

AS4617 Limitations for GAS:
0°C to +60°C



Maximum Working Pressure:
40 bar up to 2"
30 bar over 2"

AS4617 Limitations for GAS:
2100Kpa up to 2"
150Kpa from 2.1/2" to 4"



CERTIFICATION MARK

Spring return handle available on request.

Quality

- 24h 100% seal test guaranteed
- Dual sealing system allows valve to be operated in either direction making installation easier
- No metal-to-metal moving parts
- No maintenance ever required
- Handle clearly shows ball position
- Silicone-free lubricant on all seals
- Travel stops on body to avoid stresses at stem
- Chrome plated brass ball for longer life with rinse hole

Body:

- Hot forged sand blasted external nickel plated brass body and capsealed with Loctite® or equivalent thread sealant
- Finest brass according to EN 12165 and EN 12164 (formerly DIN 17660 and UNI 5705-65) specifications

Stem:

- Blowout-proof nickel plated brass stem
- Two FPM O-rings at the stem for maximum safety

Seals:

- Pure PTFE self-lubricating seats with flexible-lip design PED Directives:
- Assessment according to Pressure Equipment Directive 97/23 CE module B+D by Pascal (1115)

Threads:

- EN 10226-1, ISO 228 parallel female by female threads

Flow:

- Full port to DIN 3357 for maximum flow

Handle:

- Geomet® carbon steel handle with thick PVC dip coating. Handle coating offers both thermal and electrical protection

Working Pressure and Working Temperature:

- 40 Bar (600 PSI) up to 2", 30 Bar (450 PSI) over 2"
- non-shock cold working pressure
- -40°C (-40°F) / +170°C (+350°F)
- For use with dangerous fluids temperature rating is -20°C +60°C and pressure rating is 5 bar
- AS4617 Limitation for GAS: 2100 Kpa up to 2" and 1500 Kpa from 2. 1/2" to 4" rated working pressure and 0°C / +60°C temperature
- Warning: freezing of the fluid in the installation may severely damage the valve

Options up to 2" size:

- AISI 316 stainless steel ball
- Glass filled PTFE seals
- Custom Design
- Stem extension
- T-handle
- AISI 430 stainless steel handle
- Taper male by parallel female threads up to 4"
- Oval lockable handle up to 2", round over 2"
- Patented locking device for valves up to 4"

Upon Request

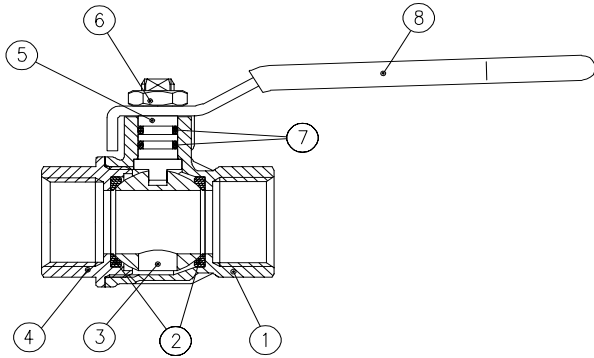
- AISI 316 stainless steel ball
- Glass filled PTFE seals
- Custom Design

Approved by or in compliance with:

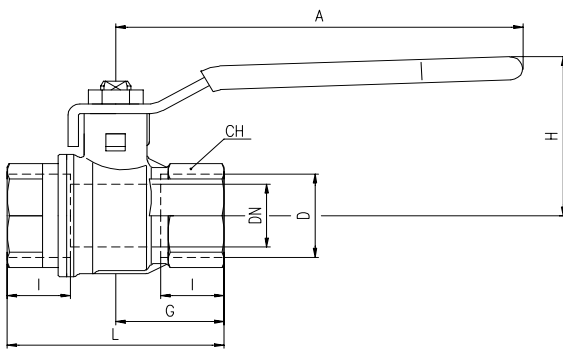
- The Australian Gas Association (Australia)
- Factory Mutual (United States)
- SVGW (Swiss)
- Water Regulations Advisory Scheme (United Kingdom)
- GOST-R (Russia)
- Hygiene and epidemic center in Moscow city (Russia)

- UkrSepro (Ukraine)
- BSI Group
- RoHS Compliant
- DIN-DVGW (Deutschland)
- EAC - Declaration of conformity (Russia-Kazakhstan-Belarus)

NOTE: Approvals apply to specific configurations/sizes only.



PART DESCRIPTION	Q.TY	MATERIAL
1 Nickel plated body (external nickel plated, unplated inside up to 2")	1	CW617N
2 Seat	2	PTFE
3 Chrome plated ball with rinse hole (the rinse hole is expected from 3/4" up to 2" sizes)	1	CW617N
4 Nickel plated end cap (external nickel plated, unplated inside up to 2")	1	CW617N
5 Nickel plated stem O-ring design	1	CW617N
6 Geomet® nut	1	CB4FF
7 O-Ring	2	FPM
8 Yellow PVC coated Geomet® steel handle	1	DD11

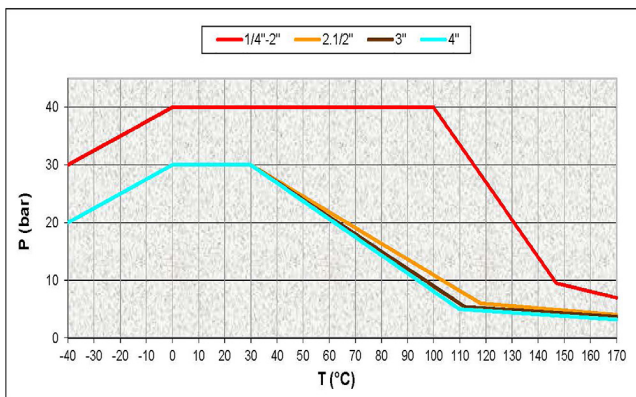


Code	S84B00	S84C00	S84D00	S84E00	S84F00	S84G00	S84H00	S84I00	S84L00	S84M00	S84N00
D (Inch)	1/4	3/8	1/2	3/4	1	1 1/4	1 1/2	2	2 1/2	3	4
DN (mm.)	8	10	15	20	25	32	40	50	65	80	100
I (mm.)	12	12	15,5	17	21	23	23	26,5	32	35	41,5
L (mm.)	45	45	59	64	81	93	102	121	156	177	216
G (mm.)	22,5	22,5	29,5	32	40,5	46,5	51	60,5	78	88,5	108
A (mm.)	82	82	100	120	120	158	158	158	255	255	255
H (mm.)	38	38	43	50	54	73	79	86	132	140	154
CH (mm.)	20	20	25	31	40	49	54	68,5	85	99	125

DN shows the nominal flow diameter. Actual flow diameter complies with full port DIN 3357 part 4. Stem configuration of valves over 2" is slightly different.

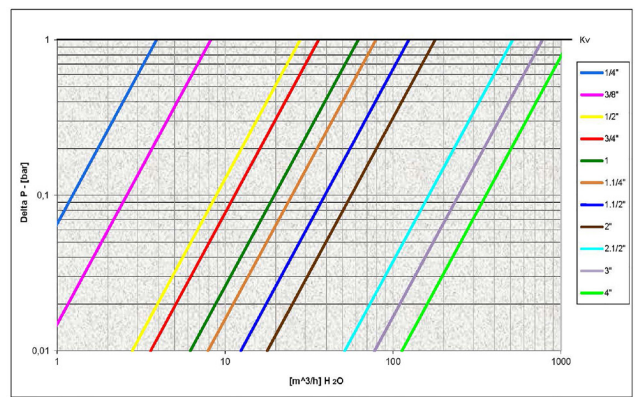
Ask for additional information on the whole range of **RuB** valves and consult with your supplier for special applications. Ball valves are marked CE on handle from 1.1/4" to 2", on body over 2" as follow: CE 1115 cat IIIB+D PS: 5 GAS TS1: -20°C TS2: +60°C

Pressure-Temperature Chart



AS4617 Limitations for GAS: 2100 Kpa up to 2" and 1500 Kpa from 2. 1/2" to 4" rated working pressure and 0°C +60°C temperature

Pressure Drop Chart



The company reserves all rights for the information contained herein. Products may be changed at any time without notice. Any undated reference to a code or standard shall be interpreted as referring to the latest edition. **RuB** and logo are registered trademarks of **RuB**-Rubinetteria utensilerie Bonomi. Other logos and registered trademarks are property of respective owners.

XCES84E - Rev: 3486