

ISO 16028/350 bar

VALVOLA PIANA/ACCIAIO

FLAT FACE/STEEL

FLACHDICHTEND/STAHL

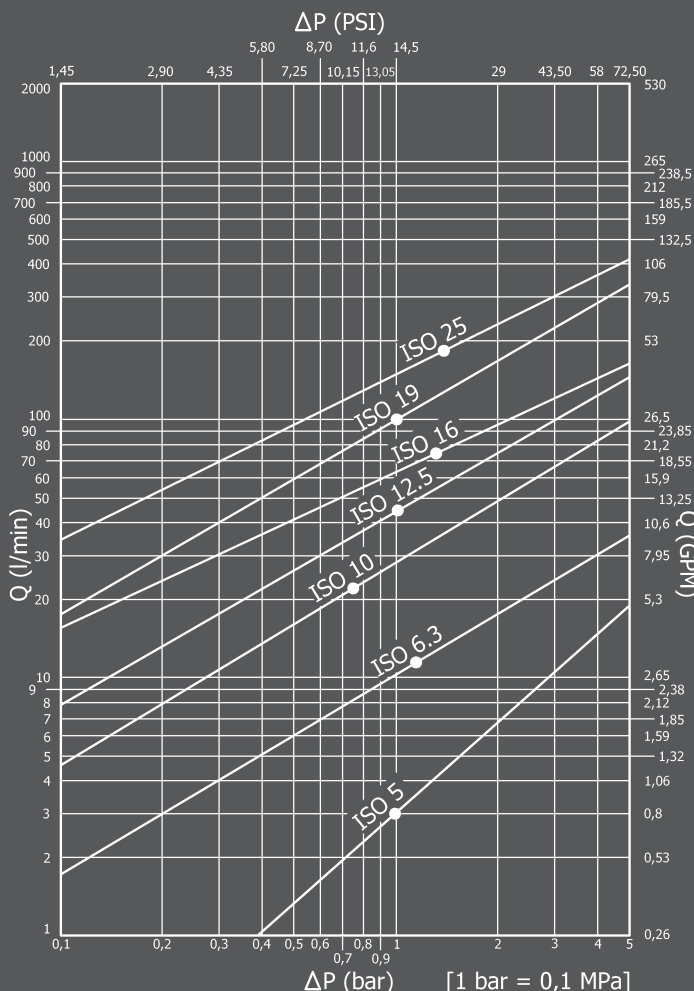
CLAPET PLAT/ACIER

Caratteristiche tecniche

- Norma: ISO 16028
- Occlusione: faccia piana
- Aggancio: sfere radiali
- Materiale: acciaio
- Finitura: Zn-Fe (Cr III) e Zn-Ni
- Filettature: BSP - NPT - SAE - METRICHE
- Guarnizioni standard: NBR e PU
- Temperatura d'esercizio: -25 °C +100 °C
- Guarnizioni opzionali: FKM, EPDM o altro
- Pressioni di esercizio: 350-500 bar
- Connessione in pressione: non consentita

Nominal size				Max working pressure MPa	Rated flow		Min burst pressure			Fluid spillage cc
DNP	BG	ISO	mm		l/min	Max flow rate l/min	Male MPa	Female MPa	Coupled MPa	
04	0	5	4	50	3	9	250	210	250	0,006
06	1	6.3	6	40	12	24	190	190	190	0,008
13	2	10	8,6	35	23	46	150	170	160	0,010
20	3	12.5	10,7	35	45	90	170	150	170	0,012
22	4A	16	12,8	35	74	150	160	140	150	0,015
25	4	19	14,8	35	100	200	160	140	180	0,020
30	5	25	17,6	35	189	280	140	140	150	0,030

1 MPa = 145,04 psi • 1 l = 0,264 gal



Technical data

- Standard: ISO 16028
- Occlusion: flat face
- Locking: radial balls
- Material: steel
- Finishing: Zn-Fe (Cr III) and Zn-Ni
- Threads: BSP - NPT - SAE - METRIC
- Standard seals: NBR and PU
- Working temperature: -25 °C +100 °C
- Optional seals: FKM, EPDM or more
- Working pressure: 350-500 bar
- Connection under pressure: not allowed

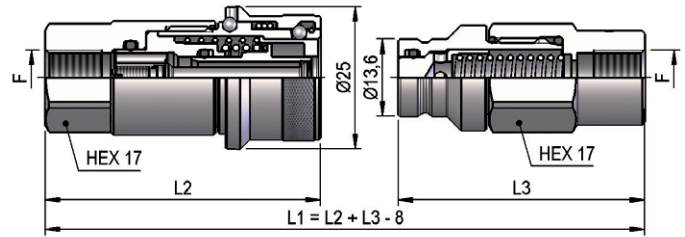
Technische Merkmale

- Norm: ISO 16028
- Verschluss: flachdichtend
- Kupplung: Radialkugeln
- Werkstoff: Stahl
- Ausführung: Zn-Fe (Cr III) und Zn-Ni
- Gewinde: BSP - NPT - SAE - METRISCHE
- Standard-Dichtungen: NBR und PU
- Betriebstemperatur: -25 °C +100 °C
- Dichtungen nach Wahl: FKM, EPDM, usw.
- Betriebsdruck: 350-500 bar
- Kuppeln unter Druck: nicht möglich

Caracteristiques techniques

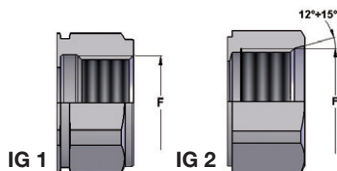
- Norme: ISO 16028
- Obturation: clapet plat
- Accrochage: billes radiales
- Matériel: acier
- Traitement: Zn-Fe (Cr III) et Zn-Ni
- Taraudage: BSP - NPT - SAE - METRIQUES
- Joints standard: NBR et PU
- Température de service: -25 °C +100 °C
- Joints facultatifs: FKM, EPDM, ect.
- Pression de service: 350-500 bar
- Connexion sous pression: pas possible

PLT4 DN04 - BG 0 - ISO 5

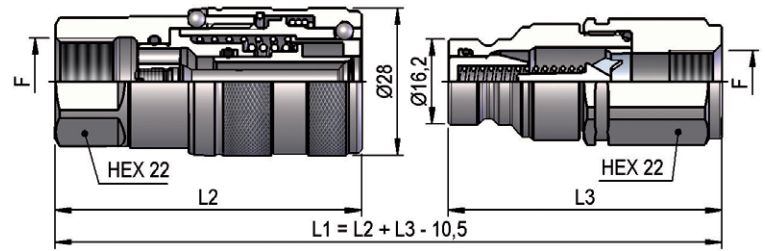


THREADS	L2	L3	F	STANDARD	FEMMINA - FEMALE - MUFFE - FEMELLE			MASCHIO - MALE - STECKER - MALE		
					COD. F	Weight (g)	Packaging (pcs.)	COD. M	Weight (g)	Packaging (pcs.)
IG 1	48,6	43,5	BSP 1/8"	DIN 3852-2-X	PLT4.0404.112	92	192	PLT4.0404.113	51	300
			NPT 1/8"	ANSI B1.20.3	PLT4.0404.012	93	192	PLT4.0404.013	52	300
IG 2	50,6	45,5	7/16"-20 UNF 2B	SAE J 1926-1	PLT4.0412.032	94	192	PLT4.0412.033	53	300

THREADS

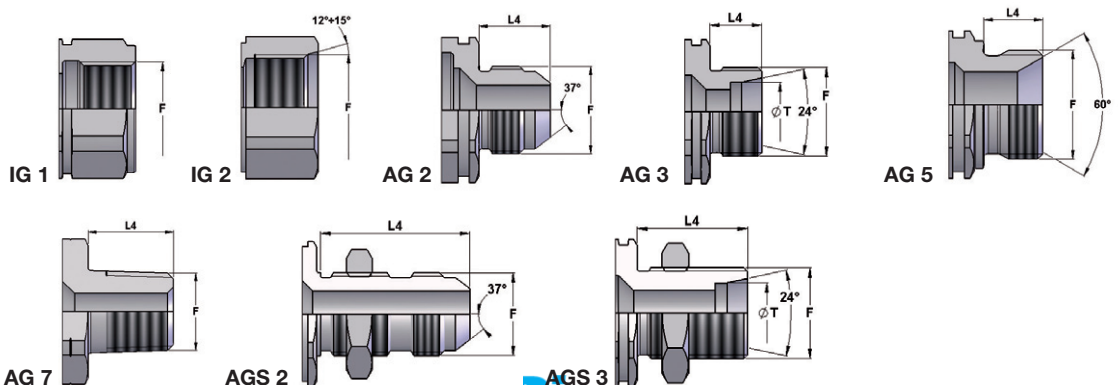


PLT4 DN06 - BG 1 - ISO 6.3

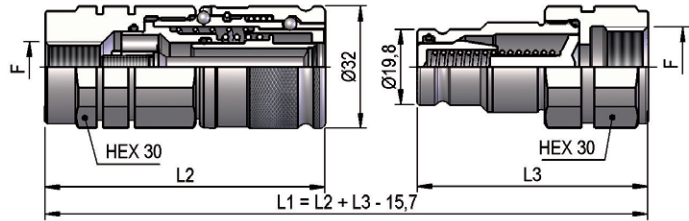


THREADS	L2	L3	L4	ØT	F	STANDARD	FEMMINA - FEMALE - MUFFE - FEMELLE			MASCHIO - MALE - STECKER - MALE		
							COD. F	Weight (g)	Packaging (pcs.)	COD. M	Weight (g)	Packaging (pcs.)
IG 1	58,5	52			BSP 1/4"	DIN 3852-2-X	PLT4.0606.112	181	100	PLT4.0606.113	95	200
	58,5	52			NPT 1/4"	ANSI B1.20.3	PLT4.0606.012	182	100	PLT4.0606.013	96	200
	58,5	52			BSP 3/8"	DIN 3852-2-X	PLT4.0610.112	170	100	PLT4.0610.113	86	200
	58,5	52			NPT 3/8"	ANSI B1.20.3	PLT4.0610.012	173	100	PLT4.0610.013	88	200
	58,5	52			M16x1,5	ISO 6149-1	PLT4.0616.102	173	100	PLT4.0616.103	89	200
	58,5	52			M18x1,5	ISO 6149-1	PLT4.0618.102	166	100	PLT4.0618.103	82	200
IG 2	58,5	52			9/16"-18 UNF 2B	SAE J 1926-1	PLT4.0615.032	178	100	PLT4.0615.033	92	200
AG 7	63,5	53,8	14		NPT 1/4"	ANSI B1.20.3	PLT4.0606.022	169	100	PLT4.0606.023	82	200
	63,5	53,8	14		R 1/4"-19	UNI ISO 7/1	PLT4.0606.042	168	100	PLT4.0606.043	82	200
	63	53,8	14		NPT 3/8"	ANSI B1.20.3	PLT4.0610.022	173	100	PLT4.0610.023	90	200
AG 5	64	54,3	12		BSP 3/8"	DIN 3852-2-B	PLT4.0610.212	202	100	PLT4.0610.213	88	200
	63,5	53,8	12		BSP 1/4"	DIN 3852-2-A	PLT4.0606.712	172	100	PLT4.0606.713	83	200
	64	54,3	12		BSP 3/8"	DIN 3852-2-A	PLT4.0610.712	202	100	PLT4.0610.713	88	200
AG 2	63,6	53,9	14,1		9/16"-18 UNF 2A	SAE J 514	PLT4.0615.302	194	100	PLT4.0615.303	80	200
AGS 2	82,8	73,1	33,3		9/16"-18 UNF 2A	SAE J 514	PLT4.0615.502	181	70	PLT4.0615.503	93	150
AG 3	59,5	49,8	10	06L	M12x1,5	ISO 8434-1-L	PLT4.0612.302	165	100	PLT4.0612.303	77	200
	59,5	49,8	10	08L	M14x1,5	ISO 8434-1-L	PLT4.0614.302	166	100	PLT4.0614.303	78	200
	60,5	50,8	11	10L	M16x1,5	ISO 8434-1-L	PLT4.0616.302	168	100	PLT4.0616.303	79	200
	60,5	50,8	11	12L	M18x1,5	ISO 8434-1-L	PLT4.0618.302	168	100	PLT4.0618.303	80	200
	61,5	51,8	12	08S	M16x1,5	ISO 8434-1-S	PLT4.0616.402	171	100	PLT4.0616.403	83	200
	61,5	51,8	12	10S	M18x1,5	ISO 8434-1-S	PLT4.0618.402	173	100	PLT4.0618.403	85	200
	61,5	51,8	12	12S	M20x1,5	ISO 8434-1-S	PLT4.0620.402	176	100	PLT4.0620.403	87	200
AGS 3	75,5	65,8	26	06L	M12x1,5	ISO 8434-1-L	PLT4.0612.502	182	70	PLT4.0612.503	94	150
	75,5	65,8	26	08L	M14x1,5	ISO 8434-1-L	PLT4.0614.502	186	70	PLT4.0614.503	98	150
	75,5	65,8	26	10L	M16x1,5	ISO 8434-1-L	PLT4.0616.502	193	70	PLT4.0616.503	104	150
	75,5	65,8	26	12L	M18x1,5	ISO 8434-1-L	PLT4.0618.502	196	70	PLT4.0618.503	109	150
	76,5	66,8	27	08S	M16x1,5	ISO 8434-1-S	PLT4.0616.602	199	70	PLT4.0616.603	112	150
	76,5	66,8	27	10S	M18x1,5	ISO 8434-1-S	PLT4.0618.602	207	70	PLT4.0618.603	119	150
	76,5	66,8	27	12S	M20x1,5	ISO 8434-1-S	PLT4.0620.602	217	70	PLT4.0620.603	128	150

THREADS

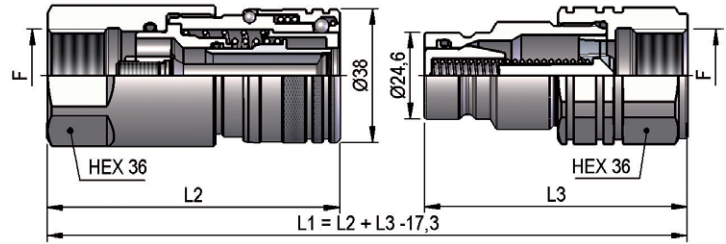


PLT4 DN13 - BG 2 - ISO 10



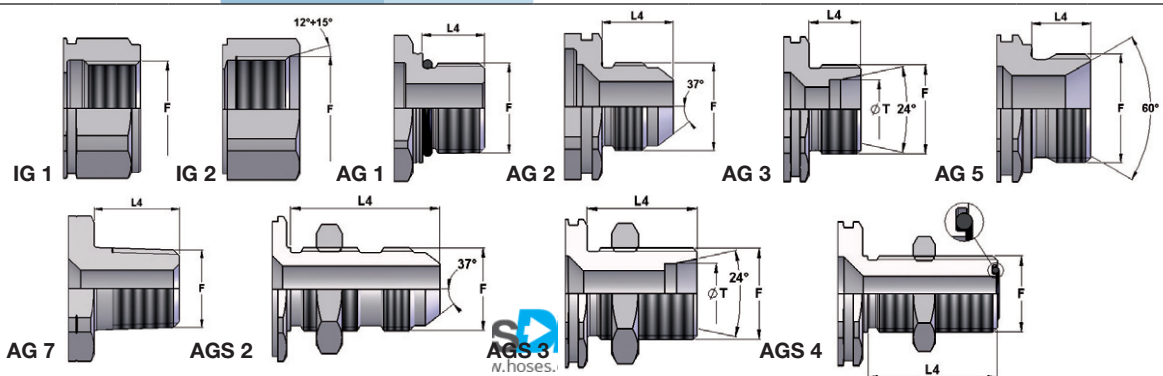
THREADS	L2	L3	L4	ØT	F	STANDARD	FEMMINA - FEMALE - MUFFE - FEMELLE			MASCHIO - MALE - STECKER - MALE		
							COD. F	Weight (g)	Packaging (pcs.)	COD. M	Weight (g)	Packaging (pcs.)
IG 1	73,5	60,5			BSP 1/4"	DIN 3852-2-X	PLT4.1306.112	319	60	PLT4.1306.113	168	60
	73,5	60,5			BSP 3/8"	DIN 3852-2-X	PLT4.1310.112	309	60	PLT4.1310.113	158	60
	73,5	63,5			NPT 3/8"	ANSI B1.20.3	PLT4.1310.012	311	60	PLT4.1310.013	184	60
	73,5	60,5			BSP 1/2"	DIN 3852-2-X	PLT4.1313.112	294	60	PLT4.1313.113	154	60
	73,5	63,5			NPT 1/2"	ANSI B1.20.3	PLT4.1313.012	297	60	PLT4.1313.013	168	60
	73,5	60,5			M14x1,5	ISO 6149-1	PLT4.1314.102	317	60	PLT4.1314.103	167	60
	73,5	60,5			M16x1,5	ISO 6149-1	PLT4.1316.102	312	60	PLT4.1316.103	162	60
	73,5	60,5			M18x1,5	ISO 6149-1	PLT4.1318.102	305	60	PLT4.1318.103	155	60
	73,5	60,5			M20x1,5	ISO 6149-1	PLT4.1320.102	301	60	PLT4.1320.103	158	60
IG 2	72	60,5			9/16-18 UNF 2B	SAE J 1926-1	PLT4.1315.032	309	60	PLT4.1315.033	165	60
	73,5	60,5			3/4"-16 UNF 2B	SAE J 1926-1	PLT4.1319.032	301	60	PLT4.1319.033	160	60
	74,5	64,5			7/8"-14 UNF 2B	SAE J 1926-1	PLT4.1323.032	287	60	PLT4.1323.033	159	60
	74,5	62,5			M16x1,5	SAE J 2244/1	PLT4.1316.112	311	60	PLT4.1316.113	175	60
	74,5	63,5			M22x1,5	SAE J 2244/1	PLT4.1322.102	293	60	PLT4.1322.103	162	60
AG 7	76,5	62,5	14		NPT 3/8"	ANSI B1.20.3	PLT4.1310.022	289	60	PLT4.1310.023	143	60
AG 1	74,5	60,5	13		M14x1,5	ISO 6149-2	PLT4.1314.222	286	60	PLT4.1314.223	134	60
	77,5	63,5	16		M20x1,5	ISO 6149-2	PLT4.1320.222	297	60	PLT4.1320.223	145	60
AG 5	77	62	12		BSP 3/8"	DIN 3852-2-B	PLT4.1310.212	293	60	PLT4.1310.213	136	60
	79	64,5	13		BSP 1/2"	DIN 3852-2-B	PLT4.1313.212	303	60	PLT4.1313.213	144	60
	74	58,5	11		M16x1,5	DIN 3863-U	PLT4.1316.702	283	60	PLT4.1316.703	128	60
	78	63,5	16		M20x1,5	DIN 3863-U	PLT4.1320.702	293	60	PLT4.1320.703	141	60
	76	61,5	14		M22x1,5	DIN 3863-U	PLT4.1322.702	290	60	PLT4.1322.703	138	60
AG 2	77,1	61,6	14,1		9/16"-18 UNF 2A	SAE J 514	PLT4.1315.302	283	60	PLT4.1315.303	126	60
	79,7	64,2	16,7		3/4"-16 UNF 2A	SAE J 514	PLT4.1319.302	291	60	PLT4.1319.303	139	60
AGS 2	100,6	85,1	37,6		3/4"-16 UNF 2A	SAE J 514	PLT4.1319.502	315	60	PLT4.1319.503	162	60
	104,1	88,6	41,1		7/8"-14 UNF 2A	SAE J 514	PLT4.1323.502	330	60	PLT4.1323.503	178	60
AG 3	72,5	57,5	10	08L	M14x1,5	ISO 8434-1-L	PLT4.1314.302	278	60	PLT4.1314.303	126	60
	73,5	58,5	11	10L	M16x1,5	ISO 8434-1-L	PLT4.1316.302	279	60	PLT4.1316.303	127	60
	73,5	58,5	11	12L	M18x1,5	ISO 8434-1-L	PLT4.1318.302	280	60	PLT4.1318.303	125	60
	74,5	59,5	12	15L	M22x1,5	ISO 8434-1-L	PLT4.1322.302	286	60	PLT4.1322.303	130	60
	74,5	59,5	12	18L	M26x1,5	ISO 8434-1-L	PLT4.1326.302	301	60	PLT4.1326.303	138	60
	74,5	59,5	12	10S	M18x1,5	ISO 8434-1-S	PLT4.1318.402	285	60	PLT4.1318.403	133	60
	74,5	59,5	12	12S	M20x1,5	ISO 8434-1-S	PLT4.1320.402	288	60	PLT4.1320.403	135	60
	76,5	61,5	14	14S	M22x1,5	ISO 8434-1-S	PLT4.1322.402	293	60	PLT4.1322.403	140	60
	76,5	61,5	14	16S	M24x1,5	ISO 8434-1-S	PLT4.1324.402	296	60	PLT4.1324.403	141	60
	AGS 3	88,5	73,5	26	08L	M14x1,5	ISO 8434-1-L	PLT4.1314.502	297	60	PLT4.1314.503	146
88,5		73,5	26	10L	M16x1,5	ISO 8434-1-L	PLT4.1316.502	304	60	PLT4.1316.503	152	60
88,5		73,5	26	12L	M18x1,5	ISO 8434-1-L	PLT4.1318.502	309	60	PLT4.1318.503	153	60
98,5		83,5	36	12L	M18x1,5	ISO 8434-1-L	PLT4.1318.512	320	60	PLT4.1318.513	164	60
89,5		74,5	27	15L	M22x1,5	ISO 8434-1-L	PLT4.1322.502	334	60	PLT4.1322.503	179	60
89,5		74,5	27	18L	M26x1,5	ISO 8434-1-L	PLT4.1326.502	370	60	PLT4.1326.503	212	60
89,5		74,5	27	10S	M18x1,5	ISO 8434-1-S	PLT4.1318.602	319	60	PLT4.1318.603	167	60
89,5		74,5	27	12S	M20x1,5	ISO 8434-1-S	PLT4.1320.602	328	60	PLT4.1320.603	175	60
91,5		76,5	29	14S	M22x1,5	ISO 8434-1-S	PLT4.1322.602	345	60	PLT4.1322.603	194	60
91,5		76,5	29	16S	M24x1,5	ISO 8434-1-S	PLT4.1324.602	352	60	PLT4.1324.603	199	60

PLT4 DN20 - BG 3 - ISO 12.5

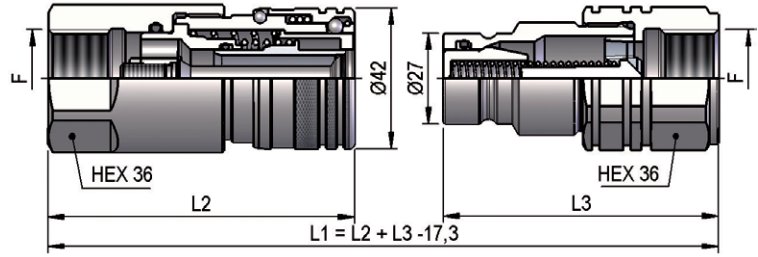


THREADS	L2	L3	L4	ØT	F	STANDARD	FEMMINA - FEMALE - MUFFE - FEMELLE			MASCHIO - MALE - STECKER - MALE		
							COD. F	Weight (g)	Packaging (pcs.)	COD. M	Weight (g)	Packaging (pcs.)
IG 1	83,5	72,5			BSP 1/2"	DIN 3852-2-X	PLT4.2013.112	529	35	PLT4.2013.113	301	42
	83,5	74			NPT 1/2"	ANSI B1.20.3	PLT4.2013.012	532	35	PLT4.2013.013	314	42
	83,5	74			RC 1/2"	UNI ISO 7/1	PLT4.2013.042	534	35	PLT4.2013.043	315	42
	83,5	74,5			BSP 3/4"	DIN 3852-2-X	PLT4.2019.112	498	35	PLT4.2019.113	282	42
	83,5	74			NPT 3/4"	ANSI B1.20.3	PLT4.2019.012	507	35	PLT4.2019.013	287	42
	83,5	74			RC 3/4"	UNI ISO 7/1	PLT4.2019.042	511	35	PLT4.2019.043	290	42
	82,5	70,5			M18x1,5	ISO 6149-1	PLT4.2018.102	534	35	PLT4.2018.103	300	42
	82,5	70			M22x1,5	ISO 6149-1	PLT4.2022.102	517	35	PLT4.2022.103	283	42
	83,5	74			M26x1,5	ISO 6149-1	PLT4.2026.102	496	35	PLT4.2026.103	280	42
83,5	74			M30x1,5	ISO 6149-1	PLT4.2030.102	470	35	PLT4.2030.103	254	42	
IG 2	79,5	70			3/4"-16 UNF 2B	SAE J 1926-1	PLT4.2019.032	507	35	PLT4.2019.033	293	42
	81,5	74			7/8"-14 UNF 2B	SAE J 1926-1	PLT4.2023.032	512	35	PLT4.2023.033	306	42
	83,5	74			1"-16-12 UN 2B	SAE J 1926-1	PLT4.2027.032	492	35	PLT4.2027.033	276	42
AG 2	92,5	81	22		1"-16-12 UN 2A	SAE J 514	PLT4.2027.302	470	35	PLT4.2027.303	272	42
AGS 2	111,6	100,1	41,1		7/8"-14 UNF 2A	SAE J 514	PLT4.2023.502	510	30	PLT4.2023.503	291	42
	115,9	104,4	45,4		1"-16-12 UN 2A	SAE J 514	PLT4.2027.502	544	30	PLT4.2027.503	324	42
AG 5	89,5	78	16		BSP 3/4"	DIN 3852-2-A	PLT4.2019.712	477	35	PLT4.2019.713	273	42
AGS 4	109	97,5	38,5		1"-14 UNS 2A	SAE J 1453	PLT4.2025.532	539	30	PLT4.2025.533	323	42
AG 3	81,5	70	11	12L	M18x1,5	ISO 8434-1-L	PLT4.2018.302	453	35	PLT4.2018.303	239	42
	82,5	71	12	15L	M22x1,5	ISO 8434-1-L	PLT4.2022.302	458	35	PLT4.2022.303	244	42
	82,5	71	12	18L	M26x1,5	ISO 8434-1-L	PLT4.2026.302	466	35	PLT4.2026.303	250	42
	84,5	73	14	22L	M30x2	ISO 8434-1-L	PLT4.2030.302	468	35	PLT4.2030.303	254	42
	82,5	71	12	10S	M18x1,5	ISO 8434-1-S	PLT4.2018.402	460	35	PLT4.2018.403	243	42
	82,5	71	12	12S	M20x1,5	ISO 8434-1-S	PLT4.2020.402	462	35	PLT4.2020.403	246	42
	84,5	73	14	14S	M22x1,5	ISO 8434-1-S	PLT4.2022.402	466	35	PLT4.2022.403	250	42
	84,5	73	14	16S	M24x1,5	ISO 8434-1-S	PLT4.2024.402	469	35	PLT4.2024.403	252	42
	86,5	75	16	20S	M30x2	ISO 8434-1-S	PLT4.2030.402	481	35	PLT4.2030.403	267	42
AGS 3	96,5	85	26	12L	M18x1,5	ISO 8434-1-L	PLT4.2018.502	484	30	PLT4.2018.503	267	42
	97,5	86	27	15L	M22x1,5	ISO 8434-1-L	PLT4.2022.502	508	30	PLT4.2022.503	292	42
	97,5	86	27	18L	M26x1,5	ISO 8434-1-L	PLT4.2026.502	542	30	PLT4.2026.503	324	42
	104,5	93	34	22L	M30x2	ISO 8434-1-L	PLT4.2030.502	576	30	PLT4.2030.503	361	42
	97,5	86	27	10S	M18x1,5	ISO 8434-1-S	PLT4.2018.602	491	30	PLT4.2018.603	276	42
	97,5	86	27	12S	M20x1,5	ISO 8434-1-S	PLT4.2020.602	508	30	PLT4.2020.603	286	42
	99,5	88	29	14S	M22x1,5	ISO 8434-1-S	PLT4.2022.602	515	30	PLT4.2022.603	302	42
	99,5	88	29	16S	M24x1,5	ISO 8434-1-S	PLT4.2024.602	528	30	PLT4.2024.603	310	42
	104,5	93	34	20S	M30x2	ISO 8434-1-S	PLT4.2030.602	571	30	PLT4.2030.603	356	42

THREADS

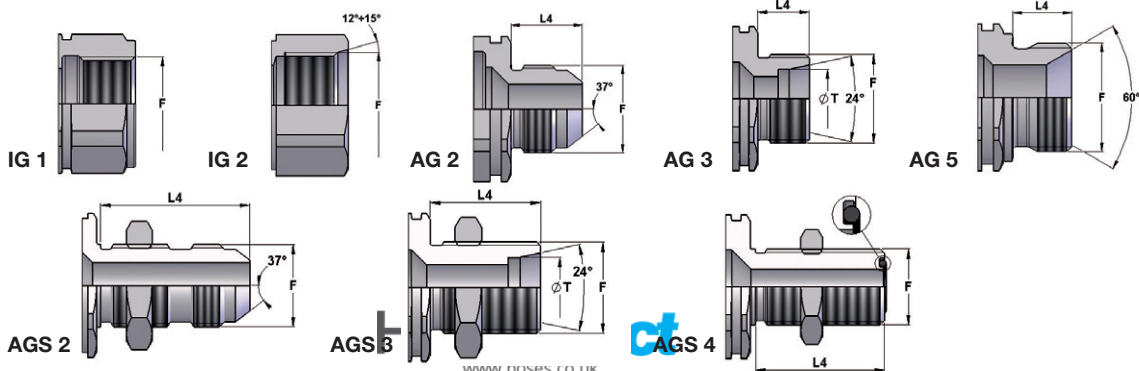


PLT4 DN22 - BG 4A - ISO 16

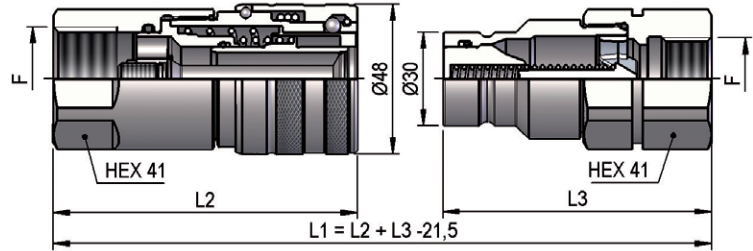


THREADS	L2	L3	L4	ØT	F	STANDARD	FEMMINA - FEMALE - MUFFE - FEMELLE			MASCHIO - MALE - STECKER - MALE		
							COD. F	Weight (g)	Packaging (pcs.)	COD. M	Weight (g)	Packaging (pcs.)
IG 1	86	72,5			BSP 1/2"	DIN 3852-2-X	PLT4.2213.112	576	30	PLT4.2213.113	326	42
	86	74			NPT 1/2"	ANSI B1.20.3	PLT4.2213.012	579	30	PLT4.2213.013	340	42
	86	74			RC 1/2"	UNI ISO 7/1	PLT4.2213.042	581	30	PLT4.2213.043	340	42
	86	74,5			BSP 3/4"	DIN 3852-2-X	PLT4.2219.112	545	30	PLT4.2219.113	307	42
	86	74			NPT 3/4"	ANSI B1.20.3	PLT4.2219.012	553	30	PLT4.2219.013	312	42
	86	74			RC 3/4"	UNI ISO 7/1	PLT4.2219.042	558	30	PLT4.2219.043	315	42
	85	70,5			M18x1,5	ISO 6149-1	PLT4.2218.102	580	30	PLT4.2218.103	325	42
	85	70			M22x1,5	ISO 6149-1	PLT4.2222.102	563	30	PLT4.2222.103	308	42
	86	74			M26x1,5	ISO 6149-1	PLT4.2226.102	542	30	PLT4.2226.103	305	42
	86	74			M30x1,5	ISO 6149-1	PLT4.2230.102	516	30	PLT4.2230.103	279	42
IG 2	82	70			3/4"-16 UNF 2B	SAE J 1926-1	PLT4.2219.032	553	30	PLT4.2219.033	318	42
	84	74			7/8"-14 UNF 2B	SAE J 1926-1	PLT4.2223.032	558	30	PLT4.2223.033	331	42
	86	74			1"1/16-12 UN 2B	SAE J 1926-1	PLT4.2227.032	538	30	PLT4.2227.033	301	42
AG 2	95	81	22		1"1/16-12 UN 2A	SAE J 514	PLT4.2227.302	516	30	PLT4.2227.303	297	42
AGS 2	114,1	100,1	41,1		7/8"-14 UNF 2A	SAE J 514	PLT4.2223.502	557	30	PLT4.2223.503	316	42
	118,4	104,4	45,4		1"1/16-12 UN 2A	SAE J 514	PLT4.2227.502	591	30	PLT4.2227.503	349	42
AG 5	90	78	16		BSP 3/4"	DIN 3852-2-A	PLT4.2219.712	524	30	PLT4.2219.713	298	42
AGS 4	111,5	97,5	38,5		1"-14 UNS 2A	SAE J 1453	PLT4.2225.532	586	30	PLT4.2225.533	348	42
AG 3	84	70	11	12L	M18x1,5	ISO 8434-1-L	PLT4.2218.302	500	30	PLT4.2218.303	264	42
	85	71	12	15L	M22x1,5	ISO 8434-1-L	PLT4.2222.302	505	30	PLT4.2222.303	269	42
	85	71	12	18L	M26x1,5	ISO 8434-1-L	PLT4.2226.302	513	30	PLT4.2226.303	275	42
	87	73	14	22L	M30x2	ISO 8434-1-L	PLT4.2230.302	515	30	PLT4.2230.303	279	42
	85	71	12	10S	M18x1,5	ISO 8434-1-S	PLT4.2218.402	506	30	PLT4.2218.403	268	42
	85	71	12	12S	M20x1,5	ISO 8434-1-S	PLT4.2220.402	509	30	PLT4.2220.403	271	42
	87	73	14	14S	M22x1,5	ISO 8434-1-S	PLT4.2222.402	513	30	PLT4.2222.403	275	42
	87	73	14	16S	M24x1,5	ISO 8434-1-S	PLT4.2224.402	516	30	PLT4.2224.403	277	42
	89	75	16	20S	M30x2	ISO 8434-1-S	PLT4.2230.402	528	30	PLT4.2230.403	292	42
AGS 3	99	85	26	12L	M18x1,5	ISO 8434-1-L	PLT4.2218.502	530	30	PLT4.2218.503	293	42
	100	86	27	15L	M22x1,5	ISO 8434-1-L	PLT4.2222.502	554	30	PLT4.2222.503	317	42
	100	86	27	18L	M26x1,5	ISO 8434-1-L	PLT4.2226.502	588	30	PLT4.2226.503	349	42
	107	93	34	22L	M30x2	ISO 8434-1-L	PLT4.2230.502	623	30	PLT4.2230.503	386	42
	100	86	27	10S	M18x1,5	ISO 8434-1-S	PLT4.2218.602	538	30	PLT4.2218.603	301	42
	100	86	27	12S	M20x1,5	ISO 8434-1-S	PLT4.2220.602	554	30	PLT4.2220.603	312	42
	102	88	29	14S	M22x1,5	ISO 8434-1-S	PLT4.2222.602	562	30	PLT4.2222.603	327	42
	102	88	29	16S	M24x1,5	ISO 8434-1-S	PLT4.2224.602	575	30	PLT4.2224.603	335	42
107	93	34	20S	M30x2	ISO 8434-1-S	PLT4.2230.602	618	30	PLT4.2230.603	381	42	

THREADS

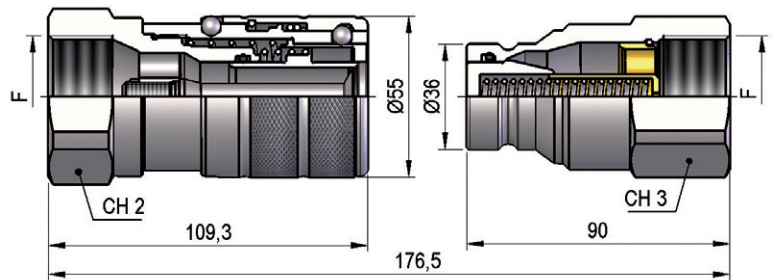


PLT4 DN25 - BG 4 - ISO 19

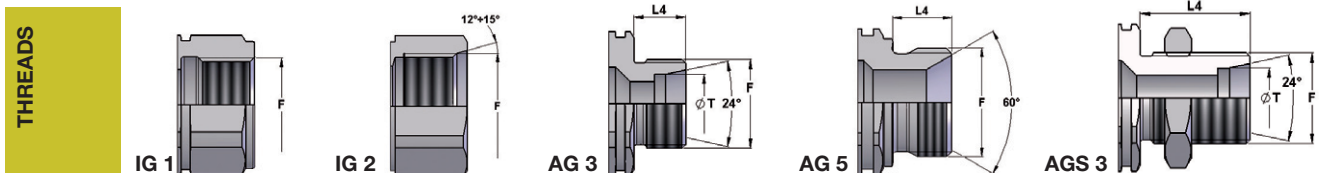


THREADS	L2	L3	L4	ØT	F	STANDARD	FEMMINA - FEMALE - MUFFE - FEMELLE			MASCIO - MALE - STECKER - MALE		
							COD. F	Weight (g)	Packaging (pcs.)	COD. M	Weight (g)	Packaging (pcs.)
IG 1	94,5	86			BSP 3/4"	DIN 3852-2-X	PLT4.2519.112	808	23	PLT4.2519.113	478	30
	94,5	86			NPT 3/4"	ANSI B1.20.3	PLT4.2519.012	814	23	PLT4.2519.013	485	30
	97,5	86			BSP 1"	DIN 3852-2-X	PLT4.2525.112	780	23	PLT4.2525.113	419	30
	97,5	86			NPT 1"	ANSI B1.20.3	PLT4.2525.012	786	23	PLT4.2525.013	427	30
	97,5	86			M30x1,5	ISO 6149-1	PLT4.2530.102	810	23	PLT4.2530.103	450	30
IG 2	95	86			1"1/16-12 UN 2B	SAE J 1926-1	PLT4.2527.032	817	23	PLT4.2527.033	471	30
	95	86			1"5/16-12 UN 2B	SAE J 1926-1	PLT4.2533.032	758	23	PLT4.2533.033	413	30
AG 5	97	88	18		BSP 1"	DIN 3852-2-B	PLT4.2525.212	818	23	PLT4.2525.213	420	30
	95	84	17		BSP 1"	BS B5200	PLT4.2525.702	751	23	PLT4.2525.703	398	30
	95	86	16		BSP 3/4"	DIN 3852-2-A	PLT4.2519.712	749	23	PLT4.2519.713	396	30
	97	88	18		BSP 1"	DIN 3852-2-A	PLT4.2525.712	775	23	PLT4.2525.713	422	30
AG 3	97	79	12	18L	M26x1,5	ISO 8434-1-L	PLT4.2526.302	773	23	PLT4.2526.303	373	30
	99	81	14	22L	M30x2	ISO 8434-1-L	PLT4.2530.302	777	23	PLT4.2530.303	378	30
	99	81	14	28L	M36x2	ISO 8434-1-L	PLT4.2536.302	776	23	PLT4.2536.303	383	30
	101	83	16	20S	M30x2	ISO 8434-1-S	PLT4.2530.402	790	23	PLT4.2530.403	389	30
	103	85	18	25S	M36x2	ISO 8434-1-S	PLT4.2536.402	807	23	PLT4.2536.403	412	30
AGS 3	119	101	34	18L	M26x1,5	ISO 8434-1-L	PLT4.2526.502	864	23	PLT4.2526.503	461	30
	119	101	34	22L	M30x2	ISO 8434-1-L	PLT4.2530.502	882	23	PLT4.2530.503	486	30
	119	101	34	28L	M36x2	ISO 8434-1-L	PLT4.2536.502	910	23	PLT4.2536.503	524	30
	121	103	36	20S	M30x2	ISO 8434-1-S	PLT4.2530.602	902	23	PLT4.2530.603	503	30
	123	105	38	25S	M36x2	ISO 8434-1-S	PLT4.2536.602	960	23	PLT4.2536.603	565	30

PLT4 DN30 - BG 5 - ISO 25

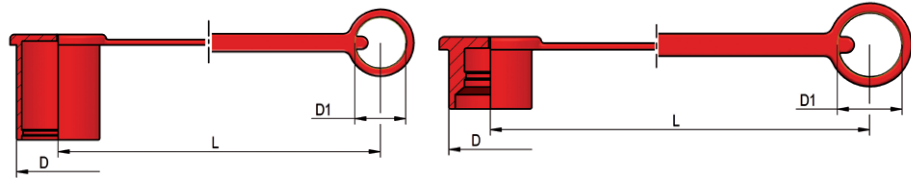


THREADS	CH2	CH3	F	STANDARD	FEMMINA - FEMALE - MUFFE - FEMELLE			MASCIO - MALE - STECKER - MALE		
					COD. F	Weight (g)	Packaging (pcs.)	COD. M	Weight (g)	Packaging (pcs.)
IG 1	50	50	BSP 1"	DIN 3852-2-X	PLT4.3025.112	1236	7	PLT4.3025.113	726	18
	50	50	NPT 1"	ANSI B1.20.3	PLT4.3025.012	1260	7	PLT4.3025.013	733	18
	55	55	BSP 1 1/4"	DIN 3852-2-X	PLT4.3031.112	1238	7	PLT4.3031.113	769	20
	55	55	NPT 1 1/4"	ANSI B1.20.3	PLT4.3031.012	1253	7	PLT4.3031.013	781	20
IG 2	50	50	1"5/16-12 UN 2B	SAE J 1926-1	PLT4.3033.032	1235	7	PLT4.3033.033	715	20
	55	55	1"5/8-12 UN 2B	SAE J 1926-1	PLT4.3041.032	1241	7	PLT4.3041.033	768	20



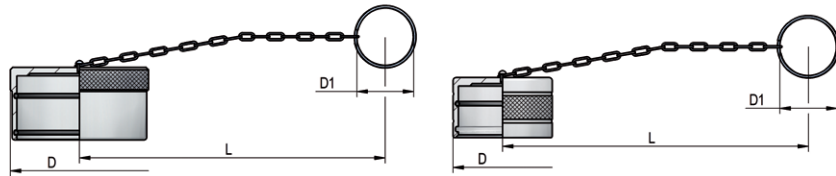
PLASTIC CAPS

NOMINAL SIZE			FEMALE DUST PLUG					MALE DUST CAP					COLOUR	MATERIAL
DNP	BG	ISO	COD. F	Dimensions			Weight (g)	COD. M	Dimensions			Weight (g)		
				D	L	D1			D	L	D1			
06	1	6.3	SPLT.06002	32,5	200	20	16	SPLT.06003	26	200	20	13	●	PVC
13	2	10	SPLT.13002	37	200	26	21	SPLT.13003	27,5	200	26	15	●	PVC
20	3	12.5	SPLT.20002	43	200	31,5	29	SPLT.20003	35	200	31,5	26	●	PVC
25	4	19	SPLT.25002	53,5	265	35	51	SPLT.25003	43	265	35	41	●	PVC
30	5	25	SPLT.30002	63	280	48	92	SPLT.30003	50	280	48	66	●	PVC

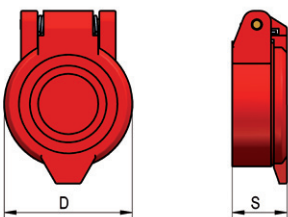


METAL CAPS

NOMINAL SIZE			FEMALE DUST PLUG					MALE DUST CAP					MATERIAL
DNP	BG	ISO	COD. F	Dimensions			Weight (g)	COD. M	Dimensions			Weight (g)	
				D	L	D1			D	L	D1		
06	1	6.3	SPLT.06202	46	200	32	41	SPLT.06203	33	200	32	28	Aluminum
13	2	10	SPLT.13202	40	200	32	48	SPLT.13203	30	200	32	39	Aluminum
20	3	12.5	SPLT.20202	60	200	32	53	SPLT.20203	42	200	32	40	Aluminum
22	4A	16	SPLT.22202	66	200	32	63	SPLT.22203	46	200	32	43	Aluminum
25	4	19	SPLT.25202	55	275	47,5	74	SPLT.25203	40	275	47,5	66	Aluminum
30	5	25	SPLT.30202	65	275	47,5	126	SPLT.30203	45	275	47,5	71	Aluminum

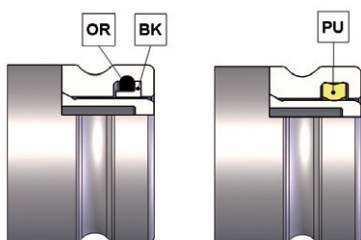


AUTOMATIC CAPS



NOMINAL SIZE			AUTOMATIC FEMALE CAP					COLOUR	MATERIAL
DNP	BG	ISO	COD. F	Dimensions		Weight (g)			
				D	S				
13	2	10	SPLT.13302	38	16,8	17	●	Nylon	
13	2	10	SPLT.13342	38	16,8	17	●	Nylon	
20	3	12.5	SPPV.13302	46	18,4	24	●	Nylon	
20	3	12.5	SPPV.13312	46	18,4	24	●	Nylon	
20	3	12.5	SPPV.13322	46	18,4	24	●	Nylon	
20	3	12.5	SPPV.13332	46	18,4	24	●	Nylon	
20	3	12.5	SPPV.13342	46	18,4	24	●	Nylon	

SPARE PARTS



NOMINAL SIZE			MALE GASKET		MALE GASKET
DNP	BG	ISO	OR (NBR*)	BK (PTFE)	PU (POLYURETHANE)
			04	0	5
06	1	6.3	PLT.006.120	PLT.006.130	-
13	2	10	PLT.013.120	PLT.013.130	PLK.013.210
20	3	12.5	PLT.019.120	PLT.019.130	PVT.019.210
22	4A	16	PLT.022.120	PLT.022.130	PVT.022.210
25	4	19	PLT.025.120	PLT.025.130	PVT.025.210
30	5	25	PLT.031.120	PLT.031.130	PVT.030.210

* AL CODICE DELLA GUARNIZIONE IN NBR AGGIUNGERE 'E' PER EPDM O 'V' PER VITON

TO THE NBR GASKET CODE ADD 'E' FOR EPDM OR 'V' FOR VITON

ZU DER ARTIKELNR. DER NBR DICHTUNG GEBEN SIE 'E' FUER EPDM ODER 'V' FUER VITON AN

AU CODE DU JOINT EN NBR JOINDRE 'E' POUR EPDM OU 'V' POUR VITON