

Dry Gauge



Panel Mount Gauge, Centre Back Connection

Materials

Case + Fixing ring: Black plastic
 Triangular ring: Chrome-plated plastic
 Window: Clear plastic
 Dial: White plastic
 Pointer: Black plastic
 Pressure connection: Cu-alloy, 14 mm flats
 Pressure element: Bourdon tube Cu-alloy soft soldered, C-type
 Movement: Cu-alloy / Polyester combination

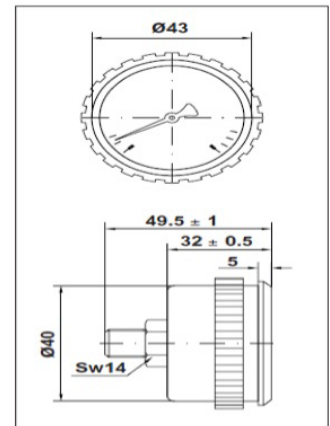
Part No

56144010



Technical Specifications

Design: EN 837-1
 Working pressure:
 Steady: 0-10Bar 75 % of full scale value
 Fluctuating: 60 % of full scale value
 Short time: full scale value
 Operating temperature:
 Ambient: -20 ... +60 °C
 Medium: +60 °C maximum
 Storage: -20 ... +60 °C
 Temperature effect: Deviation from reference temperature (+20°C): $\pm 0,04\%/1K$ of the span
 Accuracy class: cl. 2.5, cl. 1.6 on request
 Degree of protection: IP 43 per EN 60 529 / IEC 529
 Individual Weight: 0.055 kg

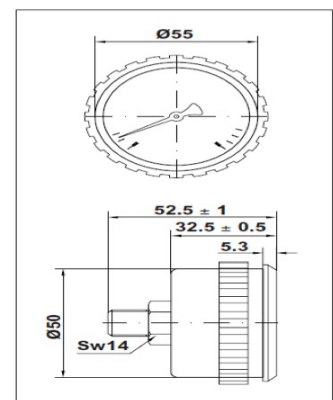


Materials

Case + Fixing ring: Black plastic
 Triangular ring: Chrome-plated plastic
 Window: Clear plastic
 Dial: White plastic
 Pointer: Black plastic
 Pressure connection: Cu-alloy, 14 mm flats
 Pressure element: Bourdon tube Cu-alloy soft soldered, C-type
 Movement: Cu-alloy / Polyester combination

Part No

56145010



Technical Specifications

Design: EN 837-1
 Working pressure:
 Steady: 0-10Bar 75 % of full scale value
 Fluctuating: 60 % of full scale value
 Short time: full scale value
 Operating temperature:
 Ambient: -20 ... +60 °C
 Medium: +60 °C maximum
 Storage: -20 ... +60 °C
 Temperature effect: Deviation from reference temperature (+20°C): $\pm 0,04\%/1K$ of the span
 Accuracy class: cl. 2.5, cl. 1.6 on request
 Degree of protection: IP 43 per EN 60 529 / IEC 529
 Individual Weight: 0.055 kg