

# Brass Hose Tails



## Elbows

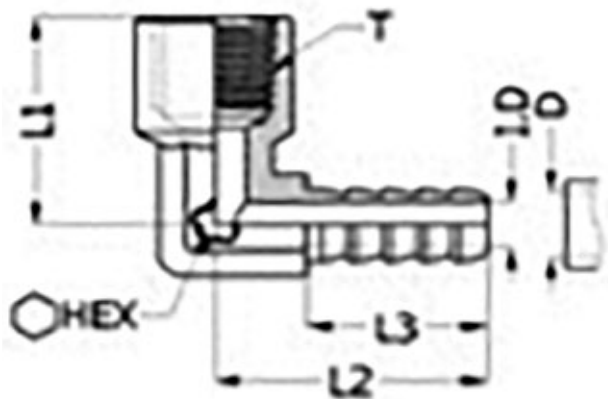
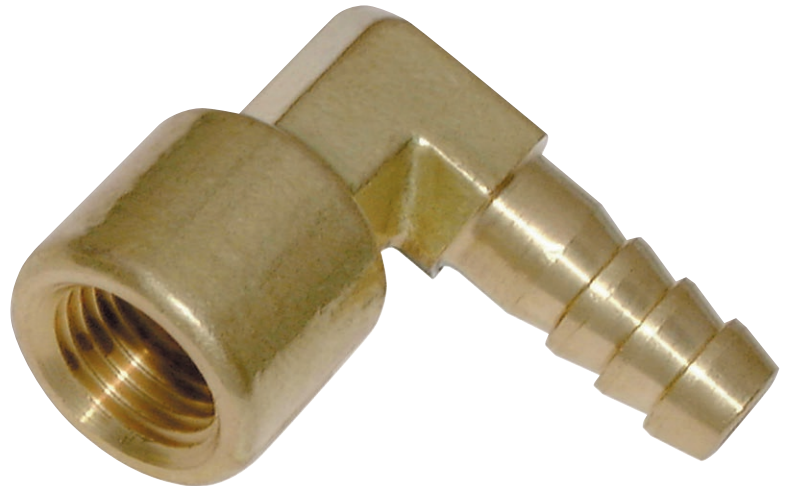
### Female Thread, BSPP x Hose Tail

#### Characteristic:

- Use for water flow in low pressure
- Use with hose tubing, can be used repeatedly

#### Material:

- Connectors are machined from Brass JIS3604
- Elbows, tees are forged and machined from Brass JIS3771
- Working Temperature: -40°C to +71°C
- Working Pressure: 150psi (10.5 bar) max.



Part Code	Item No.	Thread T	Tube Size D	L1 mm	L2 mm	L3 mm	HEX mm	I.D. mm
FET14-516	A15-LM2025	1/4"	5/16"	26	30.5	20	11	5.5
FET14-38	A15-LM203	1/4"	3/8"	26	30.5	20	11	7
FET38-38	A15-LM303	3/8"	3/8"	31.5	33.5	20	15	7
FET38-12	A15-LM304	3/8"	1/2"	31.5	33.5	20	15	9.5