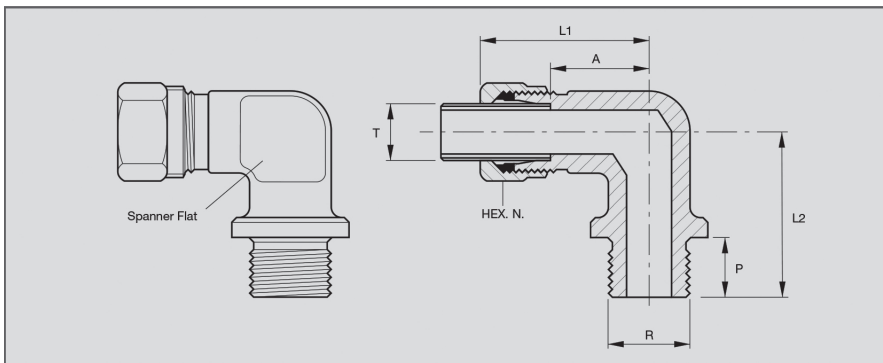


Hydraulic Imperial Compression Fittings

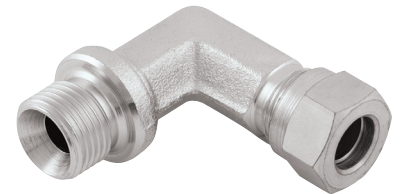


Steel Fittings for O.D. & N.B.



O.D. TUBES

Part No.	Tube Dia. T.	BSP Thread R.	Nut Hexagon N.	A/F Spanner Flat	Tube Abutment A.	Thread Length P.	Overall Length L1.	Overall Length L2.
2018-8819	1/4"	1/8"	.710"	.468"	11/16"	3/8"	1.3/8"	1.1/32"
2018-8827	1/4"	1/4"	.710"	.600"	25/32"	7/16"	1.15/32"	1.3/16"
2018-8850	1/2"	3/8"	.920"	.710"	1.3/32"	1/2"	1.27/32"	1.1/2"
2018-8868	1/2"	1/2"	.920"	.820"	1.11/32"	5/8"	2.3/32"	1.7/8"
2018-8876	5/8"	1/2"	1.10"	.820"	1.5/16"	5/8"	2.3/32"	1.7/8"
2018-8894	3/4"	1/2"	1.20"	1.10"	1.5/16"	5/8"	2.1/8"	1.7/8"
2018-8892	3/4"	3/4"	1.20"	1.10"	1.9/16"	3/4"	2.3/8"	2.1/4"



N.B. TUBES

Part No.	Tube Dia. T.	BSP Thread R.	Nut Hexagon N.	A/F Spanner Flat	Tube Abutment A.	Thread Length P.	Overall Length L1.	Overall Length L2.
2018-8785	3/8"	3/8"	1.20"	.820"	1.5/16"	1/2"	2.1/8"	2.3/4"
2018-8793	1/2"	1/2"	1.375"	1.06"	1.7/16"	5/8"	2.5/16"	2"

