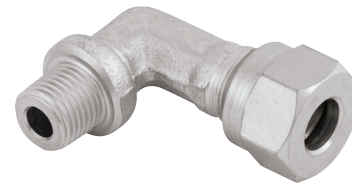
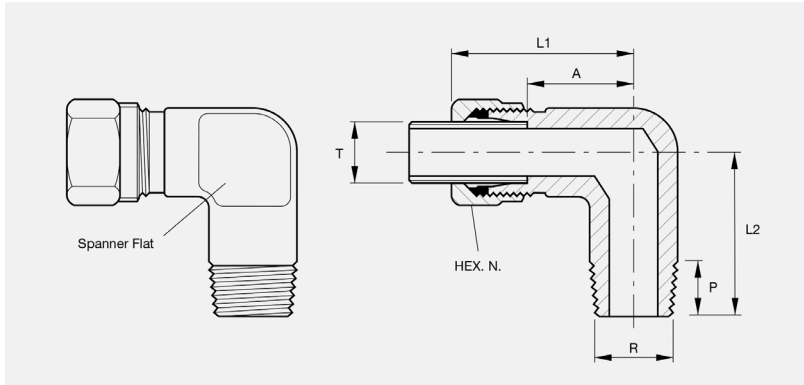


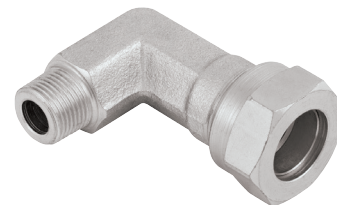
# Hydraulic Imperial Compression Fittings



## Steel Fittings for O.D. & N.B.



BSPT Male Stud Elbow O.D. Tube									
Supplier Part Number	Customer Part Number	T	R	N	A/F	A	P	L1	L2
ME4-2T	2018-8637	1/4"	1/8"	.710"	.468"	11/16"	3/8"	1.3/8"	1.1/32"
ME4-4T	2018-8678	1/4"	1/4"	.710"	.468"	11/16"	7/16"	1.1/2"	1.3/32"
ME6-4T	2018-8686	3/8"	1/4"	.820"	.600"	13/16"	7/16"	1.17/32"	1.3/16"
ME6-6T	2018-8694	3/8"	3/8"	.820"	.600"	13/16"	1/2"	1.17/32"	1.1/4"
ME8-6T	2018-8702	1/2"	3/8"	.820"	.710"	1.3/32"	1/2"	1.27/32"	1.3/8"
ME12-8T	2018-8736	3/4"	1/2"	1.20"	1.10"	1.5/16"	5/8"	2.1/8"	1.5/8"
ME16-12T	2018-8751	1"	3/4"	1.67"	1.30"	1.19/32"	3/4"	2.17/32"	2"
ME16-16T	2018-8769	1"	1"	1.67"	1.30"	1.19/32"	7/8"	2.17/32"	2.1/8"



BSPT Male Stud Elbow N.B. Tube									
Supplier Part Number	Customer Part Number	T	R	N	A/F	A	P	L1	L2
NME4-4T	2018-8926	1/4"	1/4"	1.10"	.820"	1.1/16"	7/16"	1.27/32"	1.1/2"
NME4-6T	2018-8934	1/4"	1/8"	1.10"	.820"	1.1/16"	1/2"	7.27/32"	1.9/16"
NME6-6T	2018-8942	3/8"	3/8"	1.20"	1.06"	1.5/16"	1/2"	2.1/8"	1.1/2"