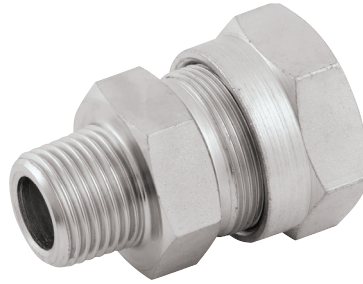
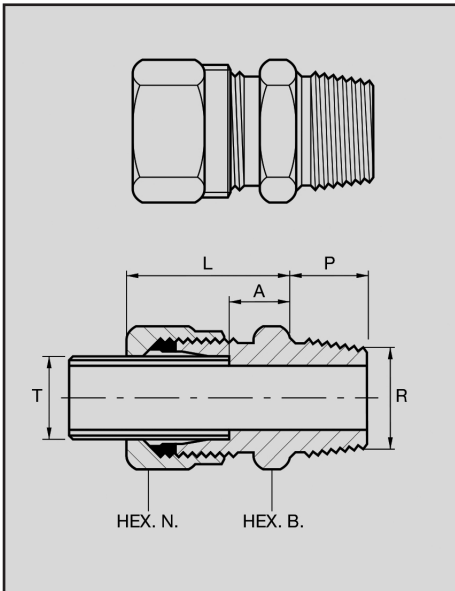


# Hydraulic Imperial Compression Fittings



## Steel Fittings for O.D. & N.B.



Part No.	N.B. Tube Size T.	BSPT Thread R.	Nut Hexagon N.	Body Hexagon B.	Tube Abutment A.	Thread Length P.	O/A Length L.
2018-8280	1/4"	1/4"	1.10"	.920"	3/8"	7/16"	1.316"
2018-8306	1/4"	1/2"	1.10"	.920"	3/8"	5/8"	1.316"
2018-8322	3/8"	3/8"	1.20"	1.10"	7/16"	1/2"	1.14"
2018-8348	1/2"	1/2"	1.375"	1.20"	1/2"	5/8"	1.38"
2018-8363	1/2"	3/4"	1.375"	1.30"	1/2"	3/4"	1.38"
2018-8371	3/4"	3/4"	1.67"	1.48"	5/8"	3/4"	1.58"
2018-8397	1"	1"	2.05"	1.67"	3/4"	7/8"	1.34"
2018-8447	1.1/4"	1.1/4"	2.58"	2.22"	1.5/16"	1"	2.116"
2018-8454	1.1/2"	1.1/2"	3.02"	2.58"	1.5/16"	1"	2.18"