

Brass Gate Valves, PN16



Suitable for domestic water services, heating, air-conditioning plants.

Female/female threads.

Handle in steel.

Body in brass.

Minimum and maximum working temperatures:

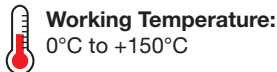
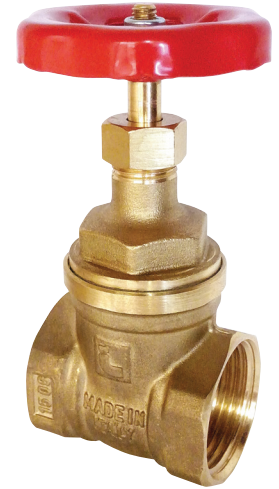
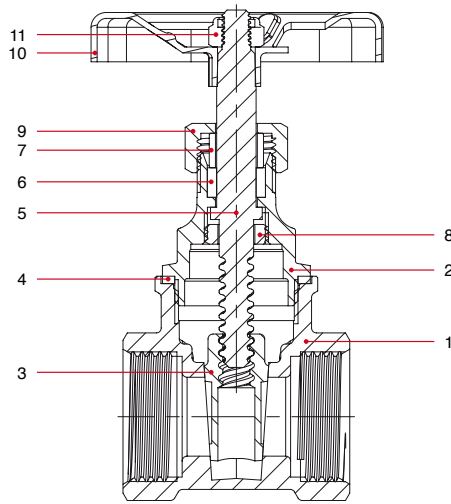
0°C, 150°C in absence of steam.

Threads: ISO228

(equivalent to DIN EN ISO 228 and BS EN ISO 228).

Available also with NPT thread in the sizes

2"1/2, 3" and 4"



Maximum Working Pressure:

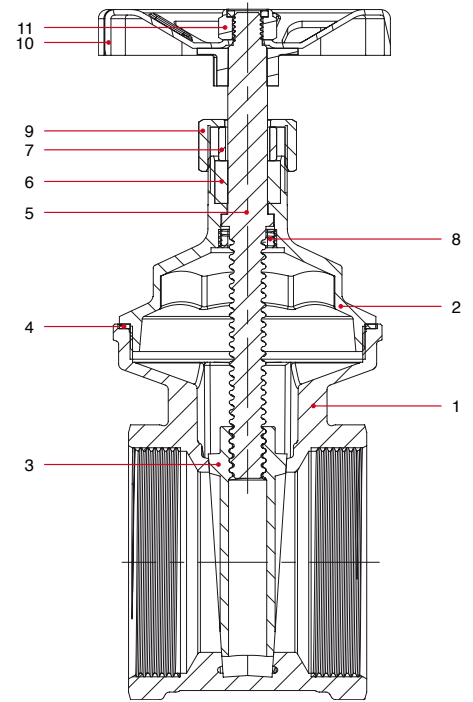
16 bar (232 psi)

SIZE	PRESSURE	CODE	PACKING	SIZE	CODE
1/2" (DN 15)	16bar/232psi	1560012	12/96	050	VOLA050
3/4" (DN 20)	16bar/232psi	1560034	10/80	060	VOLA060
1" (DN 25)	16bar/232psi	1560100	5/45	060	VOLA060
1"1/4 (DN 32)	16bar/232psi	1560114	4/32	070	VOLA070
1"1/2 (DN 40)	16bar/232psi	1560112	2/18	070	VOLA070
2" (DN 50)	16bar/232psi	1560200	2/18	080	VOLA080
2"1/2 (DN 65)	16bar/232psi	1560212	1/8	100	VOLA100
3" (DN 80)	16bar/232psi	1560300	1/8	100	VOLA100
4" (DN 100)	16bar/232psi	1560400	1/4	120	VOLA120

POS.	Description	N.	Material
1	Body	1	Brass CW617N
2	Bonnet	1	Brass CW617N
3	Disk	1	Brass CW617N
4	Washer	1	NA-1100
5	Stem	1	Brass CW617N
6	Packing-gland washer	1	AF 15/MA
7	Packing-gland	1	Brass CW617N
8	Washer	1	Brass CW617N
9	Cap	1	Brass CW617N
10	Handle	1	Steel P11
11	Self-locking nut	1	Steel CL8

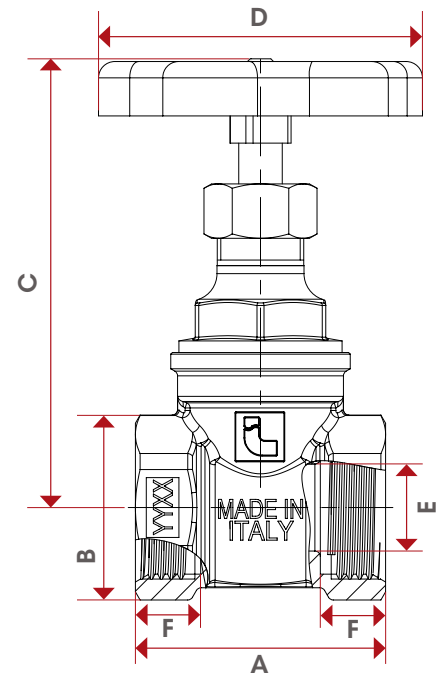
Materials 2", 1/2, 3", 4"

POS.	Description	N.	Material
1	Body	1	Brass CC754S
2	Bonnet	1	Brass CW617N
3	Disk	1	Brass CW617N
4	Washer	1	NA-1100
5	Stem	1	Brass CW617N
6	Packing-gland washer	1	AF 15/MA
7	Packing-gland	1	Brass CW617N
8	Washer	1	Brass CW617N
9	Cap	1	Brass CW617N
10	Handle	1	Steel P11
11	Self-locking nut	1	Steel CL8



Overall Dimensions

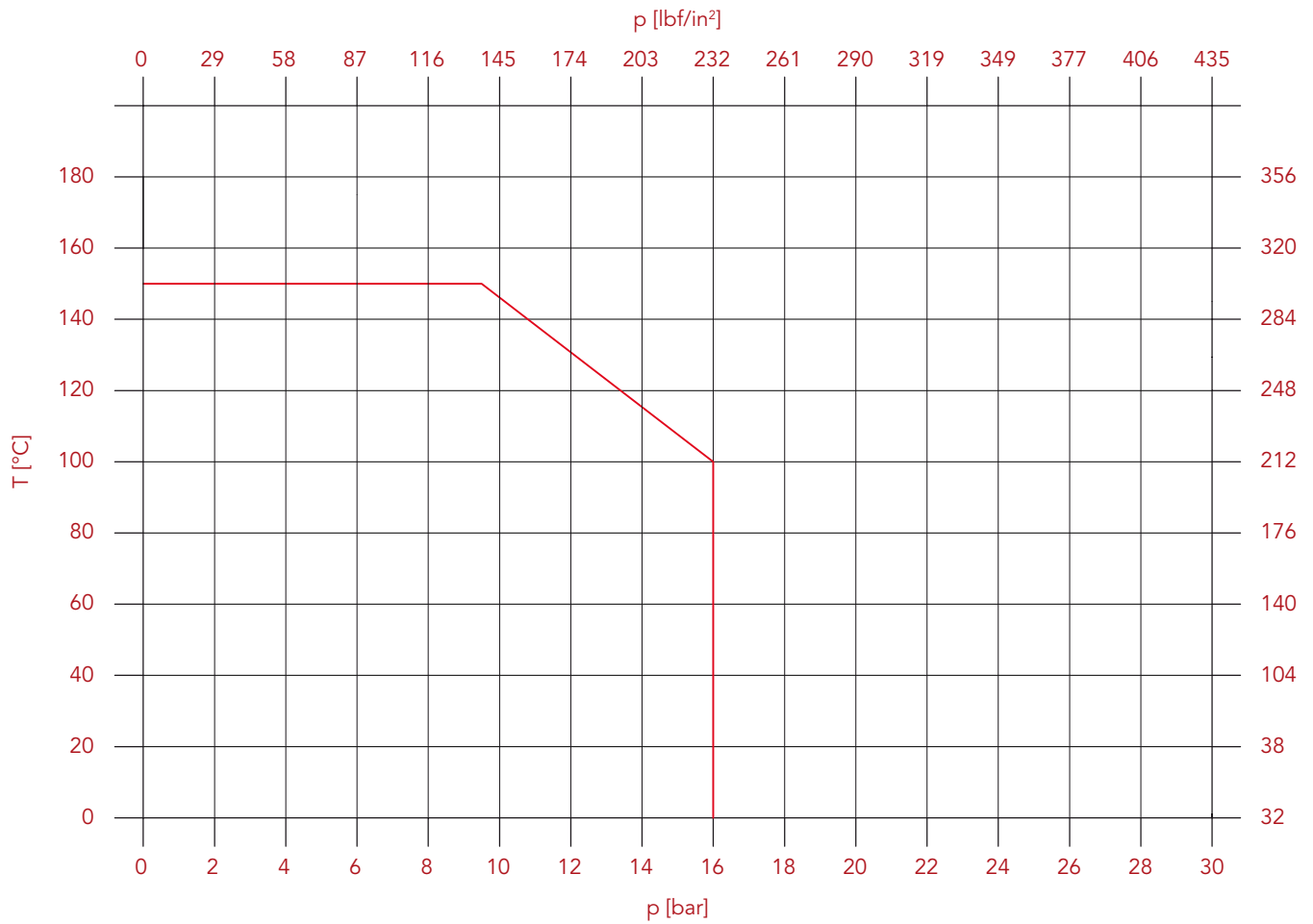
	1/2"	3/4"	1"	1" 1/4	1" 1/2	2"	2"1/2	3"	4"
DN	15	20	25	32	40	50	65	80	100
A	42	46	50	55	60	67	78	83	100
B	28	34	40,3	51,5	57	71,5	90	102,7	132,4
C	72	82	95,5	104,1	116,6	138,7	181,1	202,1	236,9
D	50	60	60	70	70	80	100	100	120
E	13	16	23	28	33	45	59	68	85
F	10	12	14	16	17	18	19	22	25,5
Kg/cm2 bar	16	16	16	16	16	16	16	16	16
LBS - psi	232	232	232	232	232	232	232	232	232



Certifications

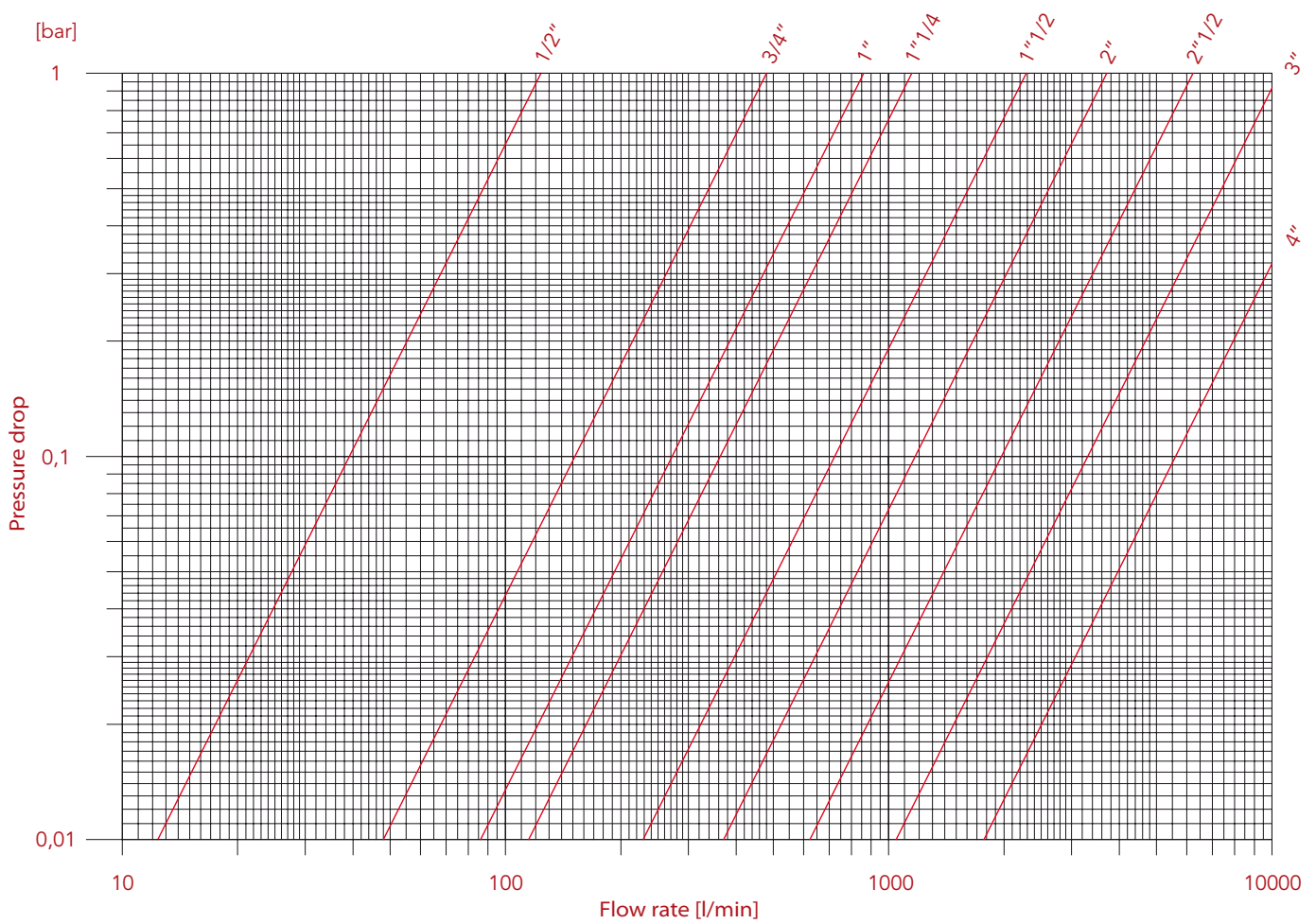


Pressure Temperature Diagram



The values shown by the dropping lines state the maximum limit of employment of the valves.
The shown valves are approximate.

Flow Rate & Pressure Drop Chart

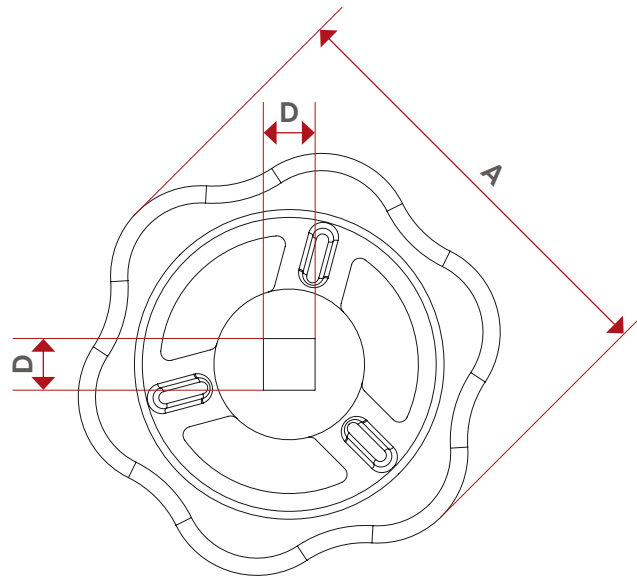
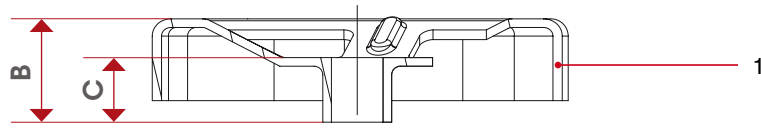


Handwheel for Gate Valve Art, 156



SIZE	CODE	ART.156
050	VOLA050	1/2"
060	VOLA060	3/4"
060	VOLA060	1"
070	VOLA070	1 1/4"
070	VOLA070	1 1/2"
080	VOLA080	2"
100	VOLA100	2 1/2"
100	VOLA100	3"
120	VOLA120	4"

Overall Dimensions & Materials



	050	060	070	080	100	120
A	50	60	70	80	100	120
B	12	15	17,6	19	25	26
C	7,5	8	10,6	10,6	15	15
D	6	7	7	8	11	12

POS.	Description	N.	Material
1	Handwheel	1	Zinc-plated steel Fe.P04