



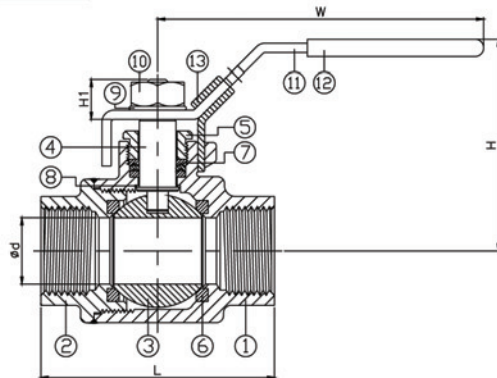
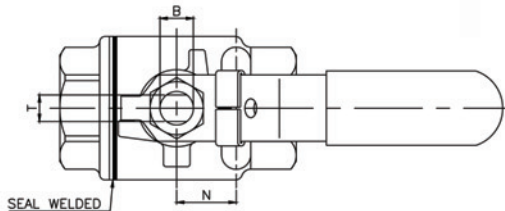
2-PC. SCREWED END BALL VALVE

2006W



FEATURES

- Full port
- W.P. : 1/4"~1" - 2000 WOG(PN150)
1-1/4"~2" - 1500 WOG(PN100)
2-1/2"~4" - 1000 WOG(PN63)
- W.T. : -20°C~200°C (-4°F~392°F)
- Investment casting
- Blow-out proof stem
- Anti-static device (option)
- Locking device
- Tapped & drilled mounting pad
- API 607 Fire safe approved
- ASME B16.34 Wall thickness
- NACE MR0175
- Seal welded ends (option)
- TA-Luft approved
- Thread type : ASTM B1.20.1 (NPT)
DIN2999 & BS21
ISO228/1 & ISO7/1



| ITEM | PARTS | MATERIAL | |
|------|----------------|----------------|---------------|
| 1 | BODY | ASTM A351-CF8M | ASTM A216-WCB |
| 2 | CAP | | |
| 3 | BALL | ASTM A351-CF8M | |
| 4 | STEM | ASTM A276-316 | |
| 5 | GLAND NUT | AISI 304 | |
| 6 | SEAT | RTFE | |
| 7 | PACKING | PTFE | |
| 8 | THRUST WASHER | | |
| 9 | SPRING WASHER | | |
| 10 | NUT | AISI 304 | |
| 11 | HANDLE | | |
| 12 | HANDLE SLEEVE | PVC | |
| 13 | LOCKING DEVICE | AISI 304 | |

| DN | d | L | W | H | H1 | B | T | N | Torque (N·M) | | Weight (kg) |
|-----|------|------|-----|------|------|-------|-----|------|--------------|-----------|-------------|
| | | | | | | | | | Action | Breakaway | |
| 8 | 11.6 | 60.5 | 102 | 53.6 | 10.5 | 5/16" | 5 | 12.5 | 3.58 | 5.1 | 0.36 |
| 10 | 12.8 | 60.5 | 102 | 53.6 | 10.5 | 5/16" | 5 | 12.5 | 3.77 | 6.4 | 0.34 |
| 15 | 15 | 62.5 | 102 | 57 | 10.5 | 5/16" | 5 | 12.5 | 3.77 | 6.4 | 0.35 |
| 20 | 20.2 | 77 | 124 | 62.1 | 13.5 | 3/8" | 6.5 | 21 | 3.77 | 6.4 | 0.61 |
| 25 | 25.6 | 90 | 165 | 80 | 15.7 | 7/16" | 8 | 23.2 | 7.67 | 11.4 | 1.06 |
| 32 | 32 | 100 | 165 | 83.7 | 15.7 | 7/16" | 8 | 23.2 | 19.5 | 28.6 | 1.6 |
| 40 | 38 | 118 | 188 | 99 | 17 | 1/2" | 9 | 23.2 | 19.5 | 32.5 | 2.25 |
| 50 | 50.8 | 138 | 188 | 107 | 17 | 1/2" | 9 | 23.2 | 20.8 | 44.2 | 3.78 |
| 65 | 65.5 | 167 | 250 | 142 | 27.5 | 3/4" | 12 | 35 | - | - | 5.46 |
| 80 | 80 | 193 | 250 | 153 | 27.5 | 3/4" | 12 | 35 | - | - | 10.6 |
| 100 | 100 | 258 | 324 | 180 | 34 | 1" | 16 | 52 | - | - | 19.12 |

unit:mm

| NPS | d | L | W | H | H1 | B | T | N | Torque (in·lb) | | Weight (lb) |
|--------|------|-------|-------|------|------|-------|------|------|----------------|-----------|-------------|
| | | | | | | | | | Action | Breakaway | |
| 1/4" | 0.46 | 2.38 | 4.02 | 2.11 | 0.41 | 5/16" | 0.2 | 0.49 | 31.69 | 45.14 | 0.79 |
| 3/8" | 0.5 | 2.38 | 4.02 | 2.11 | 0.41 | 5/16" | 0.2 | 0.49 | 33.37 | 56.64 | 0.75 |
| 1/2" | 0.59 | 2.46 | 4.02 | 2.24 | 0.41 | 5/16" | 0.2 | 0.49 | 33.37 | 56.64 | 0.77 |
| 3/4" | 0.8 | 3.03 | 4.88 | 2.44 | 0.53 | 3/8" | 0.26 | 0.83 | 33.37 | 56.64 | 1.34 |
| 1" | 1.01 | 3.54 | 6.5 | 3.15 | 0.62 | 7/16" | 0.31 | 0.91 | 67.88 | 100.9 | 2.34 |
| 1-1/4" | 1.26 | 3.94 | 6.5 | 3.3 | 0.62 | 7/16" | 0.31 | 0.91 | 172.59 | 253.13 | 3.53 |
| 1-1/2" | 1.5 | 4.65 | 7.4 | 3.9 | 0.67 | 1/2" | 0.35 | 0.91 | 172.59 | 287.65 | 4.96 |
| 2" | 2 | 5.43 | 7.4 | 4.21 | 0.67 | 1/2" | 0.35 | 0.91 | 184.09 | 391.2 | 8.33 |
| 2-1/2" | 2.58 | 6.57 | 9.84 | 5.59 | 1.08 | 3/4" | 0.47 | 1.38 | - | - | 12.04 |
| 3" | 3.15 | 7.6 | 9.84 | 6.02 | 1.08 | 3/4" | 0.47 | 1.38 | - | - | 23.37 |
| 4" | 3.94 | 10.16 | 12.76 | 7.09 | 1.34 | 1" | 0.63 | 2.05 | - | - | 42.15 |

unit:in