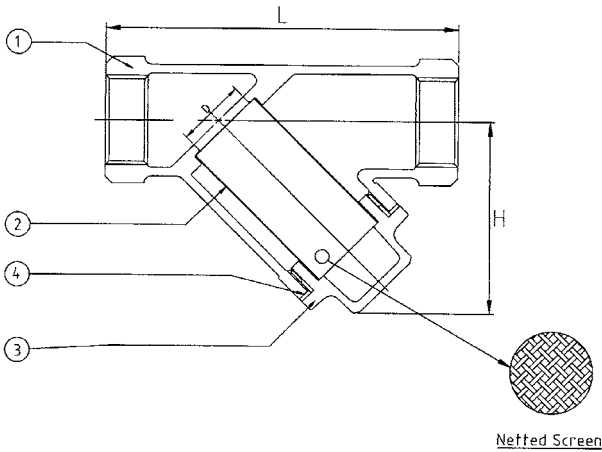


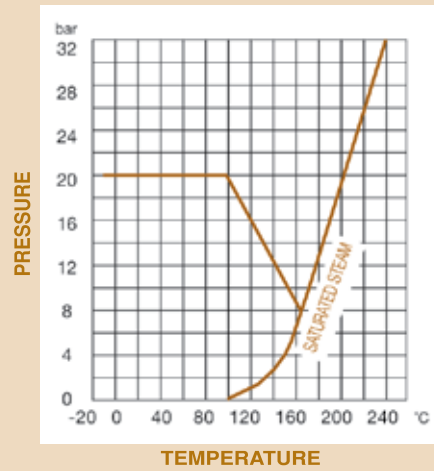
PN20 Bronze 'Y' Type Strainer

Features

- Screwed BSP Taper
- Bronze Body
- Screwed Cap
- Standard Screen 0.75mm Perforations
- PN20 Rated



Pressure / Temperature



N.	Part Name	Materials
1	Body	Bronze ASTM B62 C83600
2	Screen	Stainless Steel 304 20 Mesh
3	Cap	Bronze ASTM B62 C83600
4	Gasket	Non Asbestos

Technical Data

Maximum Pressure 20 Bar
Working Temperature -10°C to +180°C

DN	15	20	25	32	40	50
L	80.0	100.0	115.0	135.0	160.0	190.0
H	48.5	58.0	70.0	80.0	93.0	112.0
D	14.0	19.0	25.0	31.8	38.1	50.0
Kgs	0.31	0.49	0.71	0.99	1.46	2.44

Dimensions in mm

This data sheet is designed as a guide and should not be regarded as wholly accurate in every detail. We reserve the right to amend the specification of any product without notice.