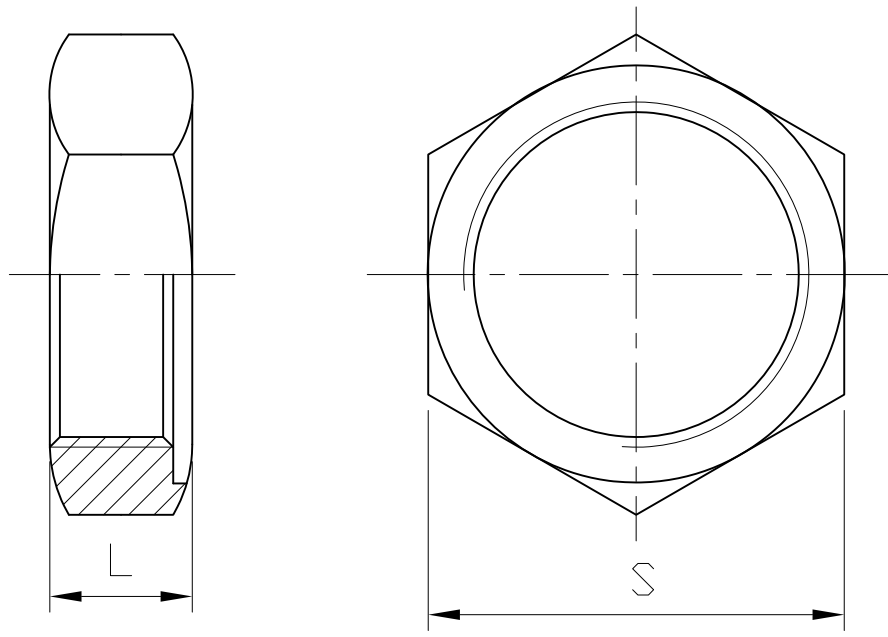


HEXAGON NUT

Ra	0.2	▽▽▽▽
▽	1.6	▽▽▽
▽	6.3	▽▽
▽	25	▽
▽	~	~

GENERAL TOLERANCE	0.5~5 6~30 31~120 121~320 321~1000	± 0.1 ± 0.2 ± 0.3 ± 0.5 ± 0.8
-------------------	--	---

HAITIMA CORPORATION
 P.O. BOX 34-36 TAIPEI
 Tel:+886-2-26585800
 E-mail:haitima@seednet.tw
 TAIWAN R.O.C. www.haitima.com.tw
 F.o.x:+886-2-26582266



SIZE	L		S	
	mm	in	mm	in
1/8"	6.3	0.25	17.3	0.68
1/4"	7	0.28	19.1	0.75
3/8"	7.5	0.3	25.3	1
1/2"	7.7	0.3	30.1	1.19
3/4"	9.2	0.36	34.4	1.35
1"	9	0.35	43.2	1.7
1-1/4"	11.7	0.46	52	2.05
1-1/2"	11.8	0.46	58.1	2.29
2"	13.1	0.52	71.9	2.83
2-1/2"	14.8	0.58	90.4	3.56
3"	17	0.67	103	4.06
4"	18	0.71	128	5.04

Tolerance: ± 0.5mm(1/8"~2")
 ± 0.8mm(2-1/2"~4")

△			
△			
△			
Revise	Description	Date	Approve
DRAWING NO. F15		-09	

HAITIMA CORPORATION
 Ball Valves & Pipe Fittings

CHECK BY	DRAWING BY	DATE	SPECIFICATION	Hexagon Nut
	Dune	Mar.05.2009	MATERIAL	304/316
			PROCESSING	
			SCALE	mm