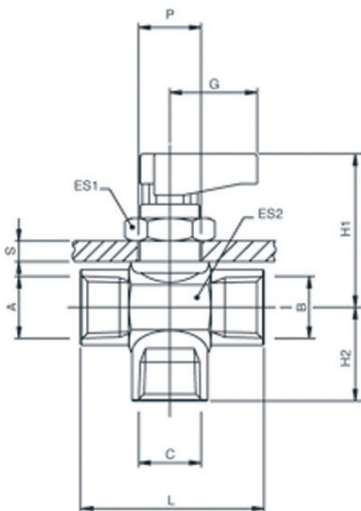


NO GAS

6570 - VALVE MALE - PUSH-IN CONNECTION (standard handle-red plate-red collet)

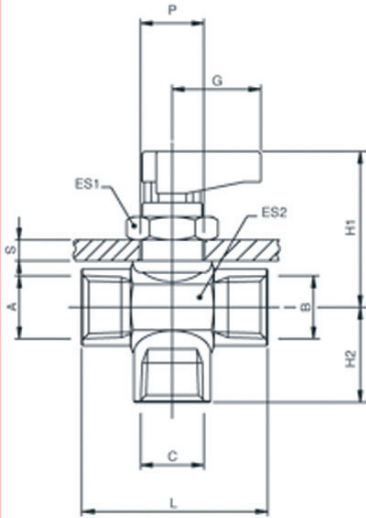
A	Tube	F	ES	L	C	H	Conf./Pack	*	Draw
1/8	4	8,5	14	35	19	21	10	NO GAS	Download (910.69 KB)
1/8	6	8,5	14	40	19	21	10	NO GAS	Download (832.63 KB)
1/8	8	8,5	14	41,5	19	21	10	NO GAS	Download (955.97 KB)
1/4	6	12,5	14	38,5	19	21	10	NO GAS	Download (783.13 KB)
1/4	8	12,5	14	45,5	19	22	10	NO GAS	Download (909.17 KB)



NO GAS

6700 - 3 WAY VALVE FEMALE G ISO 228 (standard handle-red plate)

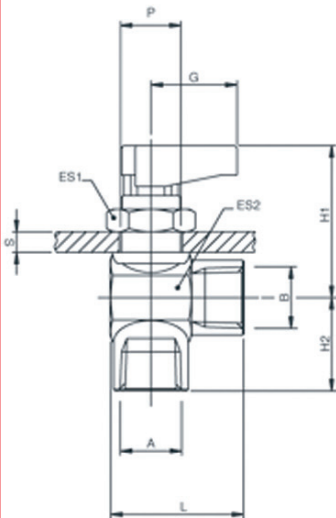
A	B	C	D.N.	ES1	ES2	L	G	H1	H2	SMax	P	*	Conf./Pack	Draw
1/8	1/8	1/8	5	17	17	35	19	33,5	15,5	4,5	14,5	NO GAS	25	Download (567.64 KB)
1/4	1/4	1/4	5	17	17	37	19	33,5	17,5	4,5	14,5	NO GAS	25	Download (559.53 KB)
3/8	3/8	3/8	7	17	21	42	19	35	19,5	4,5	14,5	NO GAS	10	Download (641.09 KB)



NO GAS

6710 - 3 WAY VALVE FEMALE G ISO 228(standard handle-red plate)

A	B	C	D.N.	ES1	ES2	L	G	H1	H2	SMax	P	*	Conf./Pack	Draw
1/8	1/8	1/8	5	17	17	35	19	33,5	15,5	4,5	14,5	NO GAS	25	Download (574.59 KB)
1/4	1/4	1/4	5	17	17	37	19	33,5	17,5	4,5	14,5	NO GAS	25	Download (572.78 KB)
3/8	3/8	3/8	7	17	21	42	19	35	19,5	4,5	14,5	NO GAS	10	Download (633.64 KB)



NO GAS

6720 - ELBOW VALVE FEMALE G ISO 228(standard handle-red plate)

A	B	D.N.	ES1	ES2	L	G	H1	H2	SMax	P	*	Conf./Pack	Draw
1/8	1/8	5	17	17	28,5	19	33,5	15,5	4,5	14,5	NO GAS	25	Download (604.26 KB)
1/4	1/4	5	17	17	28,5	19	33,5	17,5	4,5	14,5	NO GAS	25	Download (604.47 KB)
3/8	3/8	7	17	21	31	19	35	19,5	4,5	14,5	NO GAS	10	Download (638.39 KB)