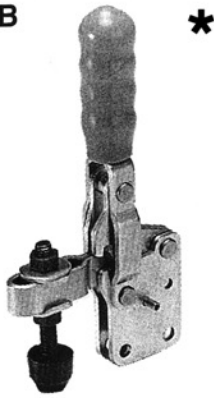
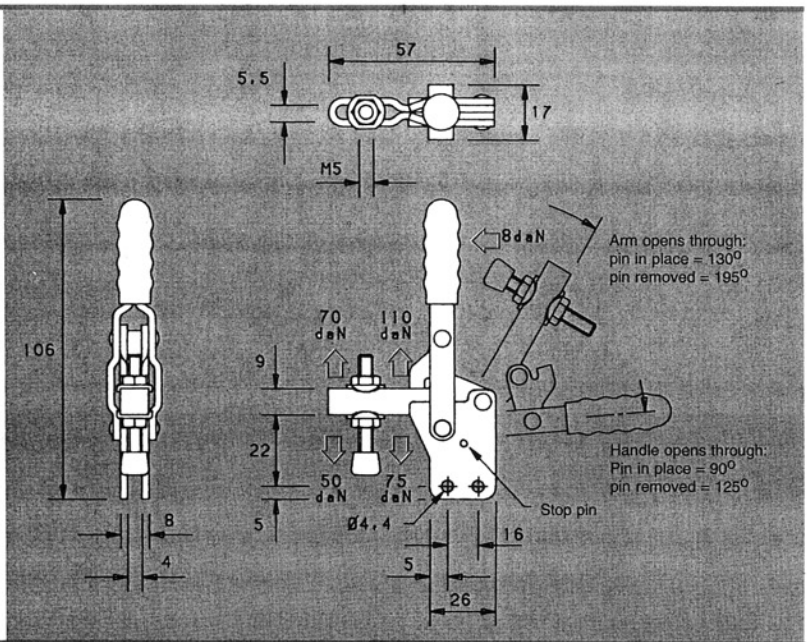


V75 SERIES VERTICAL CLAMPS

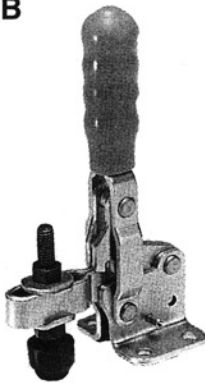
MODEL V75/1B



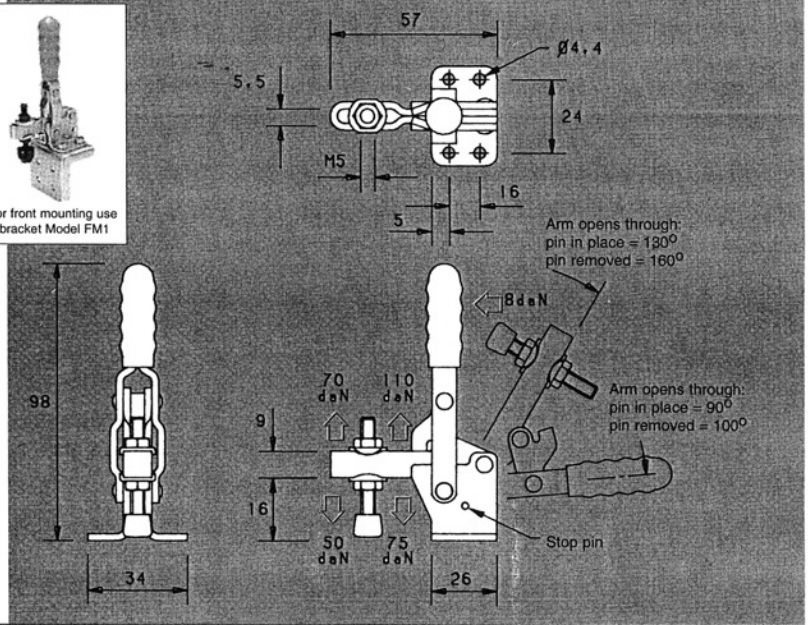
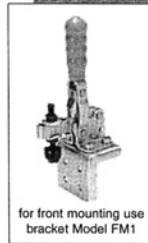
Arm: The spindle position is adjustable along the arm.
Base: Straight.
Nominal Holding Force: 75 daN
Weight: 0.05 Kg
Supplied complete with: MB0535 Setscrew & nuts.
 NC/05 Neoprene cover.
 FW05/10 Flanged washers.
 See "Accessories" for other items.



MODEL V75/2B

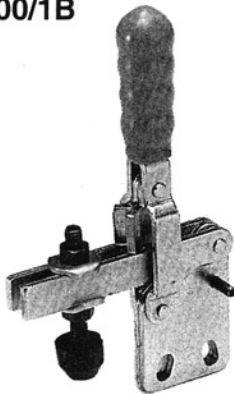


Arm: The spindle position is adjustable along the arm.
Base: Flanged.
Nominal Holding Force: 75 daN
Weight: 0.05 Kg
Supplied complete with: MB0535 Setscrew & nuts.
 NC/05 Neoprene cover.
 FW05/10 Flanged washers.
 See "Accessories" for other items.



V100 SERIES VERTICAL CLAMPS

MODEL V100/1B



Arm: The spindle position is adjustable along the arm.
Base: Straight.
Nominal Holding Force: 100 daN
Weight: 1.10 Kg
Supplied complete with: MB0535 Setscrew & nuts.
 NC/05 Neoprene cover.
 FW05/10 Flanged washers.
 See "Accessories" for other items.

