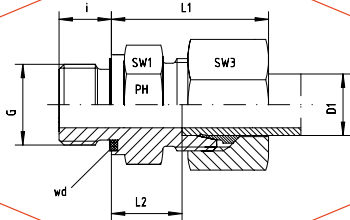




PRODUKTE / PRODUCTS

ERLÄUTERUNG / EXPLANATION

**Gerade Einschraubverschraubungen**

LL- and L-Reihe

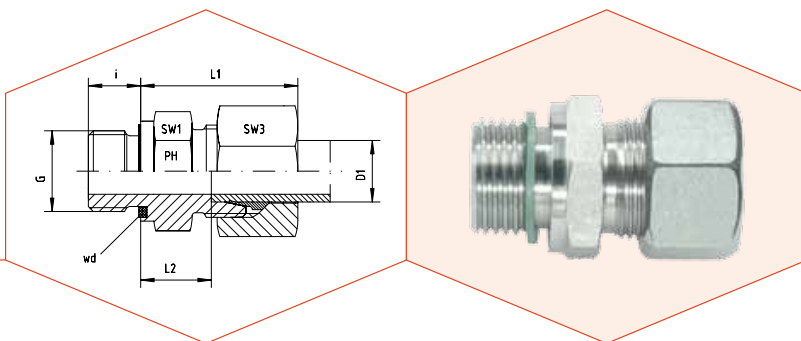
Einschraubgewinde: Whitworth-Rohrgewinde - Zylindrisch
wd = Abdichtung durch Profildichtung - Viton**Male Stud Couplings**

LL- and L-Series

Thread: BSP - Parallel

wd = Sealing by an Elastomer Profiled Ring - Viton

Reihe Series	Druck Pressure PN	Rohr A.D. Tube O.D. D1	Gewinde Thread G	Ca. Maße Approx. Dimensions					Bestellzeichen Order-Code Standard
				L1	L2	i	SW1	SW3	
L	500	6	G 1/8"	23,0	8,5	8	14	14	GE-6L-2EO
L	500	6	G 1/4"	27,0	9,0	12	17	14	GE-6L-4EO
L	400	6	G 3/8"	27,0	11,5	12	22	14	GE-6L-6EO
L	400	6	G 1/2"	29,0	12,0	14	27	14	GE-6L-8EO
L	500	8	G 1/8"	26,0	9,5	8	14	17	GE-8L-2EO
L	500	8	G 1/4"	25,0	10,0	12	19	17	GE-8L-4EO
L	400	8	G 3/8"	28,5	11,5	12	22	17	GE-8L-6EO
L	400	8	G 1/2"	28,5	13,0	14	27	17	GE-8L-8EO
L	500	10	G 1/8"	27,5	11,0	8	17	19	GE-10L-2EO
L	500	10	G 1/4"	26,0	11,0	12	19	19	GE-10L-4EO
L	400	10	G 3/8"	30,5	12,5	12	22	19	GE-10L-6EO
L	400	10	G 1/2"	32,5	13,0	14	27	19	GE-10L-8EO
L	250	10	G 3/4"			16	32	19	GE-10L-12EO
L	400	12	G 1/8"	29,0	11,0	8	19	22	GE-12L-2EO
L	400	12	G 1/4"	30,0	12,0	12	19	22	GE-12L-4EO
L	400	12	G 3/8"	27,0	12,5	12	22	22	GE-12L-6EO
L	400	12	G 1/2"	31,0	13,0	14	27	22	GE-12L-8EO
L	250	12	G 3/4"	31,0	14,0	16	32	22	GE-12L-12EO
L	400	15	G 1/4"	32,0	13,0	12	24	27	GE-15L-4EO
L	400	15	G 3/8"	31,0	13,5	12	24	27	GE-15L-6EO
L	400	15	G 1/2"	29,0	14,0	14	27	27	GE-15L-8EO
L	250	15	G 3/4"	32,5	15,0	16	32	27	GE-15L-12EO
L	250	15	G 1"			18	41	27	GE-15L-16EO
L	400	18	G 3/8"	33,0	12,5	12	27	32	GE-18L-6EO
L	400	18	G 1/2"	31,0	14,5	14	27	32	GE-18L-8EO
L	315	18	G 3/4"	34,0	14,5	16	32	32	GE-18L-12EO
L	250	18	G 1"		16,5	18	41	32	GE-18L-16EO
L	250	22	G 3/8"	49,0	16,0	12	32	36	GE-22L-6EO
L	250	22	G 1/2"	37,0	16,5	14	32	36	GE-22L-8EO
L	250	22	G 3/4"	33,0	16,5	16	32	36	GE-22L-12EO
L	250	22	G 1"	38,0	17,5	18	41	36	GE-22L-16EO
L	250	22	G 1 1/4"			20	50	36	GE-22L-20EO
L	250	28	G 1/2"		17,5	14	41	41	GE-28L-8EO
L	250	28	G 3/4"	38,0	17,5	16	41	41	GE-28L-12EO
L	250	28	G 1"	34,0	17,5	18	41	41	GE-28L-16EO
L	250	28	G 1 1/4"		18,5	20	50	41	GE-28L-20EO
L	250	28	G 1 1/2"	43,0	20,5	22	55	41	GE-28L-24EO
L	250	35	G 1/2"	42,0	17,5	14	46	50	GE-28L-8EO
L	250	35	G 3/4"	42,0	18,5	16	46	50	GE-35L-12EO
L	250	35	G 1"	42,0	17,5	18	46	50	GE-35L-16EO
L	250	35	G 1 1/4"	39,0	17,5	20	50	50	GE-35L-20EO
L	250	35	G 1 1/2"	44,0	19,5	22	55	50	GE-35L-24EO
L	250	42	G 1"	47,0	19,0	18	55	60	GE-42L-16EO
L	250	42	G 1 1/4"	47,0	19,0	20	55	60	GE-42L-20EO
L	250	42	G 1 1/2"	47,0	19,0	22	55	60	GE-42L-24EO
L	250	42	G 2"		21,0	23	70	60	GE-42L-32EO



Gerade Einschraubverschraubungen
S-Reihe
Einschraubgewinde: Whitworth-Rohrgewinde - Zylindrisch
wd = Abdichtung durch Profildichtung - Viton

Male Stud Couplings
S-Series
Thread: BSP - Parallel
wd = Sealing by an Elastomer Profiled Ring - Viton

Reihe Series	Druck Pressure PN	Rohr A.D. Tube O.D. D1	Gewinde Thread G	Ca. Maße Approx. Dimensions					Bestellzeichen Order-Code Standard
				L1	L2	i	SW1	SW3	
S	800	6	G 1/8"	28,0	13,0	8		17	GE-6S-2EO
S	800	6	G 1/4"	28,0	13,0	12	19	17	GE-6S-4EO
S	800	6	G 3/8"	30,0	15,5	12	22	19	GE-6S-6EO
S	630	6	G 1/2"	34,0	17,0	14	27	19	GE-6S-8EO
S	800	8	G 1/8"		14,0	8	17	19	GE-8S-2EO
S	800	8	G 1/4"	30,0	15,0	12	19	19	GE-8S-4EO
S	800	8	G 3/8"		15,5	12	22	19	GE-8S-6EO
S	630	8	G 1/2"		15,0	14	27	19	GE-8S-8EO
S	800	10	G 1/8"		13,5	8	19	22	GE-10S-2EO
S	800	10	G 1/4"		14,5	12	19	22	GE-10S-4EO
S	800	10	G 3/8"	31,0	15,0	12	22	22	GE-10S-6EO
S	630	10	G 1/2"		13,5	14	27	22	GE-10S-8EO
S	420	10	G 3/4"	36,0	17,5	16	32	22	GE-10S-12EO
S	630	12	G 1/4"		16,5	12	22	24	GE-12S-4EO
S	630	12	G 3/8"	33,0	17,0	12	22	24	GE-12S-6EO
S	630	12	G 1/2"	34,0	17,5	14	27	24	GE-12S-8EO
S	420	12	G 3/4"	36,0	17,5	16	32	24	GE-12S-12EO
S	630	14	G 1/4"	37,0	17,0	12	24	27	GE-14S-4EO
S	630	14	G 3/8"	37,0	17,0	12	24	27	GE-14S-6EO
S	630	14	G 1/2"	37,0	19,0	14	27	27	GE-14S-8EO
S	420	14	G 3/4"		19,0	16	32	27	GE-14S-12EO
S	630	16	G 1/4"	38,0	17,5	12	27	30	GE-16S-4EO
S	630	16	G 3/8"		18,0	12	27	30	GE-16S-6EO
S	630	16	G 1/2"	37,0	18,5	14	27	30	GE-16S-8EO
S	420	16	G 3/4"	39,0	20,5	16	32	30	GE-16S-12EO
S	420	16	G 1"	43,5	22,5	18	41	30	GE-16S-16EO
S	420	20	G 3/8"		18,0	12	32	36	GE-20S-6EO
S	420	20	G 1/2"		20,5	14	32	36	GE-20S-8EO
S	420	20	G 3/4"	42,0	20,5	16	32	36	GE-20S-12EO
S	420	20	G 1"		22,5	18	41	36	GE-20S-16EO
S	420	20	G 1 1/4"		22,5	20	50	36	GE-20S-20EO
S	420	25	G 1/2"		23,0	14	41	46	GE-25S-8EO
S	420	25	G 3/4"		23,0	16	41	46	GE-25S-12EO
S	420	25	G 1"	47,0	23,0	18	41	46	GE-25S-16EO
S	420	25	G 1 1/4"		23,0	20	50	46	GE-25S-20EO
S	420	30	G 3/4"		25,5	16	46	50	GE-30S-12EO
S	420	30	G 1"	50,0	23,5	18	46	50	GE-30S-16EO
S	420	30	G 1 1/4"	50,0	23,5	20	50	50	GE-30S-20EO
S	420	30	G 1 1/2"	50,0	23,5	22	55	50	GE-30S-24EO
S	420	38	G 1"	42,0	26,0	18	46	50	GE-38S-16EO
S	420	38	G 1 1/4"		23,0	20	55	60	GE-38S-20EO
S	420	38	G 1 1/2"	57,0	26,0	22	55	60	GE-38S-24EO
S	250	38	G 2"				70	60	GE-38S-32EO