

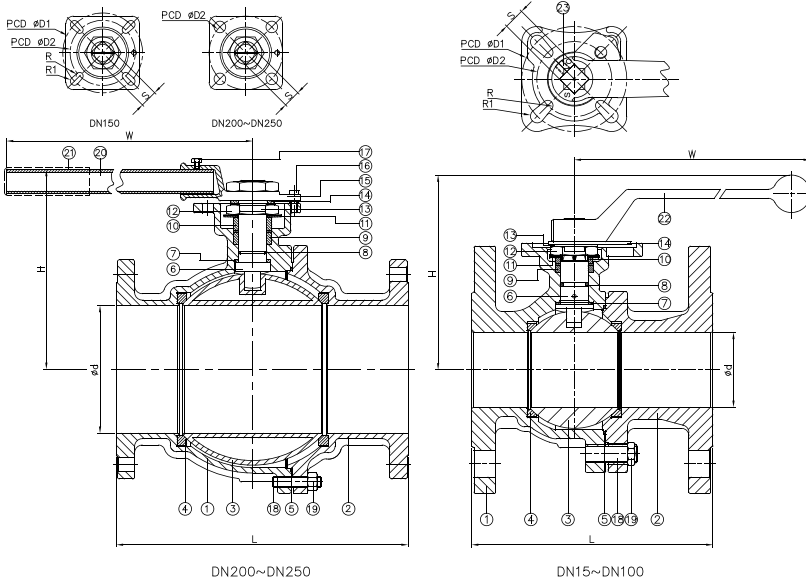
M 2-PC. FLANGED END BALL VALVE

2020D



FEATURES

- Full port, 1/2"~10" (DN15~DN250)
- W.P. : CLASS 150/300
- W.T. : -20°C~200°C (-4°F~392°F)
- Investment casting
- Blow-out proof stem
- Live-loading design
- Anti-static device
- Locking device
- ISO 5211 direct mounting pad
- **API 607 Fire safe approved**
- **ISO 15848 fugitive emission approved (option)**
- **Automation accessories (option)**



ITEM	PARTS	MATERIAL
1	BODY	
2	CAP	ASTM A351-CF8M / ASTM A216-WCB
3	BALL	SOLID: ASTM A351-CF8M / HOLLOW: ASTM A240-316
4	SEAT	PTFE / RTFE
5	SEAL	GRAPHITE
6	STEM	ASTM A276-316
7	THRUST WASHER	CTFE
8	O-RING	VITON
9	PACKING	GRAPHITE
10	GLAND RING	AISI 304
11	BELLEVILLE WASHER	AISI 301
12	STEM NUT	AISI 304
13	LOCKING WASHER	
14	FLAT WASHER	
15	HANDLE HEAD	
16	STOP PIN	
17	BOLT	
18	STUD	
19	NUT	
20	STEEL TUBE	
21	HANDLE SLEEVE	
22	HANDLE	AISI 301
23	SOCKET SET SCREW	

- ABOVE MENTIONED MATERIALS APPLY TO FIRE SAFE DESIGN
 - ISO 15848 DESIGN SHOULD REPLACE WITH PTFE SEAL & PACKING

DN	d	CLASS 150			CLASS 300			D1	D2	R	R1	S	Torque(N-M)
		L	H	W	L	H	W						
15	15	108	85	190	140	84.5	197.5	42	36	2.75	2.75	9	5.2
20	20	117	89.5	190	152	94.5	197.5	42	36	2.75	2.75	9	8
25	24	127.5	94.2	190	165	99.5	197.5	50	42	2.75	3.5	11	12.5
32	30	140.5	97.9	190	178	105	197.5	50	42	2.75	3.5	11	12
40	38	165	120.9	235	190	124.5	247.5	70	50	3.5	4.5	14	24.5
50	50	178	129.9	235	216	129	247.5	70	50	3.5	4.5	14	32
65	64	190.5	156.3	325	241	154.5	340	102	70	4.5	5.5	17	38
80	76	203	163.3	325	282	165.5	340	102	70	4.5	5.5	17	45
100	98	229	190.9	325	305	188	340	125	102	5.5	6.5	22	55
125	125	356	232	743	-	-	-	125	102	5.5	6.5	27	160
150	150	394	230	743	403	253	743	125	102	5.5	6.5	27	250
200	200	457	312	840	-	-	-	-	140	8.5	-	36	470
250	250	533	350	1040	-	-	-	-	140	8.5	-	36	750

unit:mm

NPS	d	CLASS 150			CLASS 300			D1	D2	R	R1	S	Torque(in-lb)
		L	H	W	L	H	W						
1/2"	0.59	4.25	3.35	7.48	5.51	3.33	7.78	1.65	1.42	0.11	0.11	0.35	46
3/4"	0.79	4.61	3.52	7.48	5.98	3.72	7.78	1.65	1.42	0.11	0.11	0.35	70.8
1"	0.94	5.02	3.71	7.48	6.5	3.92	7.78	1.97	1.65	0.11	0.14	0.43	110.6
1-1/4"	1.18	5.53	3.85	7.48	7.01	4.13	7.78	1.97	1.65	0.11	0.14	0.43	106.2
1-1/2"	1.5	6.5	4.76	9.25	7.48	4.9	9.74	2.76	1.97	0.14	0.18	0.55	216.8
2"	1.97	7.01	5.11	9.25	8.5	5.08	9.74	2.76	1.97	0.14	0.18	0.55	283.2
2-1/2"	2.52	7.5	6.15	12.8	9.49	6.08	13.39	4.02	2.76	0.18	0.22	0.67	336.3
3"	2.99	7.99	6.43	12.8	11.1	6.52	13.39	4.02	2.76	0.18	0.22	0.67	398.3
4"	3.86	9.02	7.52	12.8	12.01	7.4	13.39	4.92	4.02	0.22	0.26	0.87	486.8
5"	4.92	14.02	9.13	29.25	-	-	-	4.92	4.02	0.22	0.26	1.06	1416.1
6"	5.91	15.51	9.06	29.25	15.87	9.96	29.25	4.92	4.02	0.22	0.26	1.06	2212.7
8"	7.87	17.99	12.28	33.07	-	-	-	-	5.51	0.33	-	1.42	4159.8
10"	9.84	20.98	13.78	40.94	-	-	-	-	5.51	0.33	-	1.42	6638

unit:in