

## Flowmeters &amp; Monitors

## LoFlow - Oil and Water Flowmeters

## Features &amp; Benefits



- Easy to read, permanent printed scales.
- Large scale definition for precise measurement.
- Easy panel mounting assembly.
- Negligible pressure drop characteristics.
- 10 bar pressure rating.
- Simple to use.

## Specification

**Construction:**

Body Grillon TR55.  
 Back body half ABS 7020.  
 Ball retainer ABS 7020.  
 Back panel PVC.  
 Float See below.

**Maximum working pressure:**  
 10 bar.

**Maximum working temperature:**  
 60°C.

**Accuracy:**  
 ±2% typical.

**Repeatability:**  
 ±1%.

**Connections:**  
 1/4" and 3/4" tapered threads.

## Installation Details

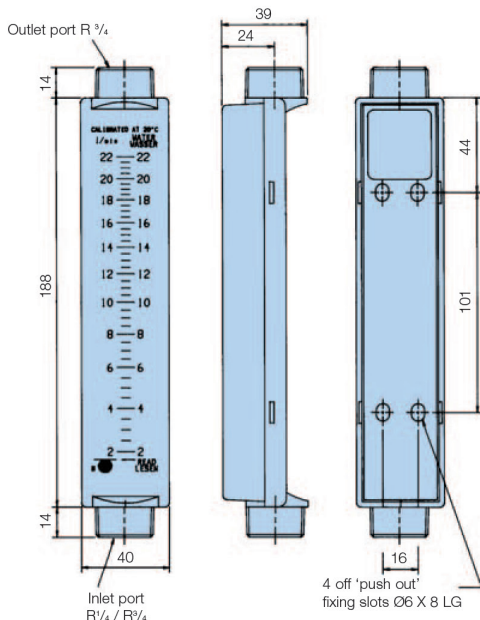
**Simple to fit, easy to use**

The LoFlow meter has been designed for those industries where the need exists for a low cost solution to small measurements of flow with an accurate reading. LoFlow uses the well tried and tested principle of variable area flow measurement utilising the movement of a ball or float inside a calibrated tapered bore.

## Typical Applications

Pharmaceutical industry      Water treatment  
 Filtration systems              Photography and X-ray  
 Hospital equipment              Equipment  
 For water applications          Swimming pools

## Installation Details



## Ordering Information

## Standard products table

Product number	Supersedes	Media	Ports (BSPT male)	Flow range (l/min)	Float material
<b>LF802412</b>	LF.2020	Water	3/4 - 3/4	0.2 - 2.0	Acetal
<b>LF802413</b>	LF.2100	Water	3/4 - 3/4	2.0 - 10.0	S/Steel
<b>LF802414</b>	LF.2220	Water	3/4 - 3/4	3.0 - 22.0	S/Steel
<b>LF801431</b>	LF.1002	Oil	1/4 - 3/4	0.010 - 0.20	S/Steel
<b>LF802432</b>	LF.1009	Oil	3/4 - 3/4	0.1 - 0.9	Acetal
<b>LF802434</b>	LF.1090	Oil	3/4 - 3/4	1.0 - 9.0	S/Steel
<b>LF801411</b>	LF.2005	Water	1/4 - 3/4	0.06 - 0.55	S/Steel

Note 1: Part numbers featured with bold highlighted codes will ensure a 'standard' product selection.

Note 2: Alternate displayed part number selection will require you to contact Parker Filtration for availability.

## Highlights Key (Denotes part number availability)

<b>123</b>	Item is standard
<b>123</b>	Item is standard green option
<b>123</b>	Item is semi standard
<b>123</b>	Item is non standard

Note: Standard items are in stock, semi standard items are available within four weeks