

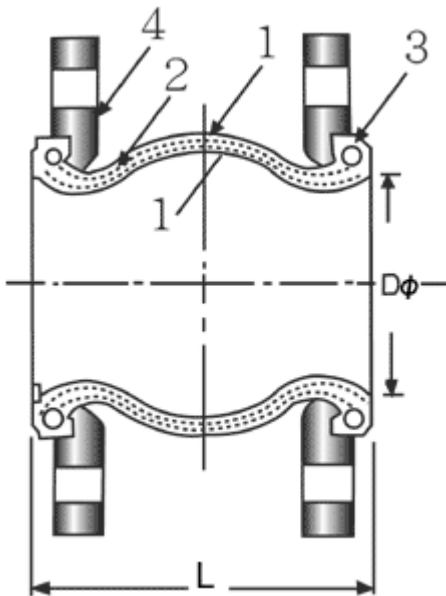
Anti Static BS2050 Black 20 Bar Air Hose

Moulded Rubber Bellows are designed to compensate for misalignment, neutralise movement and reduce noise through vibration in pipelines. They effectively dampen the transmission of sound and vibration and can be used in many applications with various medias including water, oils, chemicals & gases when the correct body material is specified.

Other body materials available on request:

Butyl
Nitrile
Hypalon

Other Flange drilling are also available on request.



Series 115 Single-Sphere Connectors

Structure

Item No	Part	Material
1	Body	CR, EPDM, IIR, NBR, CSM, VITON
2	Reinforce	Nylon Cord Fabric
3	Wire	Hard Steel Wire
4	Floating Flange	Mild Steel Zinc Plated RST 37-2

Flanges drilling: Available ANSI B 16.5, DIN 2501, JIS B 2210, BS 4504, AS 2129, ISO 7005, etc. and other standard drilling for your specifications.

Features

1. Four way greater movements provide high level of installation flexibility.
2. Precision molded of synthetic rubber reinforced with nylon tire cord.
3. Excellent ability to absorb vibration and sound, withstand high pressure
4. Withstand chemical corrosion, to resist acid and ozone attack.

Application

Colour Code	Tube InMaterial	Cover outMaterial	Application
Blue	Neoprene	Neoprene	Excellent Aging resistance, for alkaline and acid salt solutions and aldehydes.
Red	EPDM	EPDM	Higher temp. good ozone resistance, resilience, bend easier lower temp, but not suitable oils.
Black	Butyl	Butyl	Lower impermeable; offer ozone, weather, abrasion, chemical resistance.
Yellow	Nitrile	Neoprene	Recommend for oils, greases, petrol, fats, glycos, alcohols, ethers and gas.
White	Nitrile	Nitrile	For drinking water or food grade white color quality up to 150 psi/10 bar at 158° F/70° C
Green	Hypalon	Hypalon	Ozone resistance sunlight stable, for strong acids, alkalis and chemicals.

Specification

Nominal Inch	Diameter mm	Face to Face mm	Temp. (° C) Min-Max	Travel mm	Allowable Movement (mm)				Pressure	
				Total Compressed Extended	Axial Compression	Axial Extension	Lateral Deflection	Angular Deflection	Positive PSIG/(BAR) at 80° C	Vacuum mm Hg
1-1/4"	32	130	- 30 - 110	113-135	20	12	14	15°	225(16)	660
1-1/2"	40	130	- 30 - 110	113-135	20	12	14	15°	225(16)	660
2"	50	130	- 30 - 110	113-135	20	12	14	15°	225(16)	660
2-1/2"	65	130	- 30 - 110	113-135	20	12	14	15°	225(16)	660
3"	80	130	- 30 - 110	113-135	20	12	14	15°	225(16)	660
4"	100	130	- 30 - 110	113-135	20	12	14	15°	225(16)	660
5"	125	130	- 30 - 110	113-135	20	12	14	15°	225(16)	660
6"	150	130	- 30 - 110	113-135	20	12	14	15°	225(16)	660
8"	200	130	- 30 - 110	113-135	25	12	14	15°	225(16)	660
10"	250	130	- 30 - 110	113-135	25	16	22	15°	225(16)	660
12"	300	130	- 30 - 110	113-135	25	16	22	15°	225(16)	660

Operation Conditions

1" to 12" Burst Pressure : 60 Kg/cm², working pressure: 16 kg/cm²