

Brass Panel Mount Ball Valve



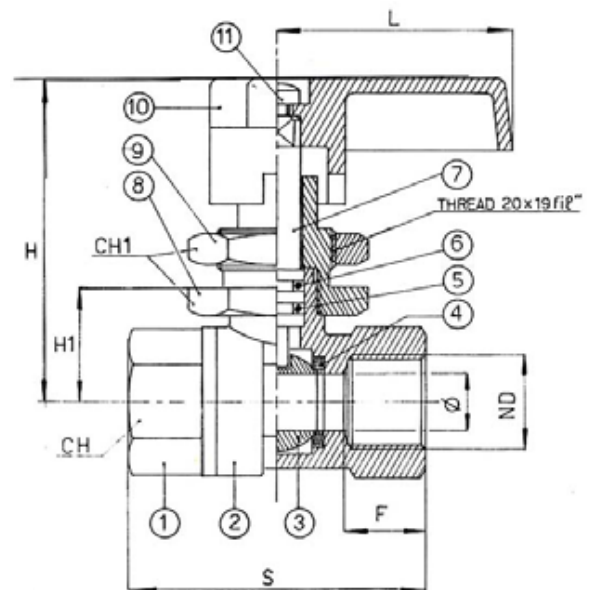
Nickel Plated Body, PN40, Screwed BSP Female, Full Bore, Butterfly/Lever Handle, Temperature Range -10°C to 120°C

Pressure/Temperature Ratings

Pressure	PN40
Temperature	-10° C to 120° C

Material List

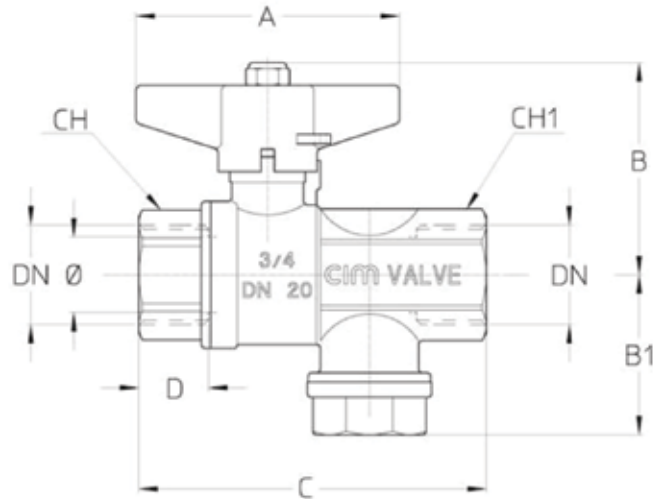
No	Description	Material
1	Sleeve	Brass
2	Body	Brass
3	Ball	Brass
4	Seat	PTFE
5	O-ring	Fluride Rubber
6	O-ring	Nitrile Rubber
7	Stem	Brass
8	Screwed Ring	Brass
9	Swivel Nut	Brass
10	Lever	Aluminium
11	Screw	Sleet CL 4.8



Dimensions

ND	Ø	F	S	H1	H	L	CH	CH1
¼"	8	14	51	21	55	80	23	27

TECHNICAL DRAWING



DN	1/2"	3/4"	1"
Ø mm	15	20	25
Grms.	320	520	685
A	50	70	70
B	52	56	60
B1	39	43	50
C	81	92	112
D	17	18,5	21
CH	25	31	40
CH1	25	31	38

Thread:
ISO 7 - Rp

Upon request:
ISO 7 - Rc
ANSI B1.20.1 - NPT

TECHNICAL CHARACTERISTICS

KV CM CS MT			
DN	1/2"	3/4"	1"
Φ mm	15	20	25
KV	3	6	11
CM	3	5	6
CS	6	10	12
MT	10	24	24

KV = Capacity in m³/h at pressure drop of 1 bar.
CM = Operating torque in Nm.
CS = Starting torque in Nm.
MT = Stem breaking torque in Nm.

OUR CERTIFICATIONS

