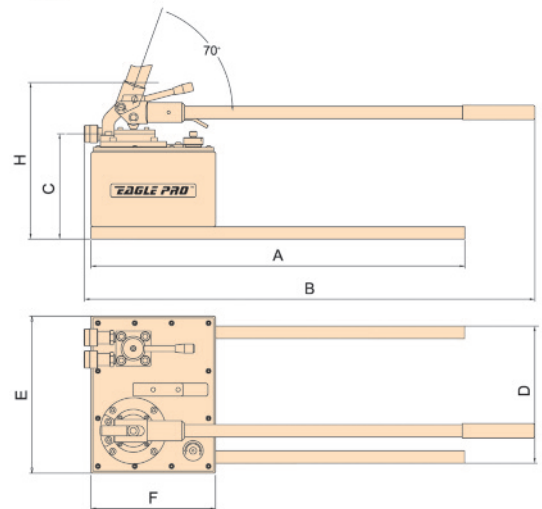




EPA-SERIES HAND PUMPS

▶ Features

- ◆ High strength alloy steel, engineered for use in extreme environment.
- ◆ User friendly design.
- ◆ Built in safety valve.



Used With Cylinder	Model	Speed	Usable Oil Volume	Pressure rating		Oil output per stroke		Handle Force	Output Oil Thread	Weight
				1 st stage	2 nd stage	1 st stage	2 nd stage			
			in ³	psi	psi	in ³	in ³	lbs	in	lbs
Single Acting	EPA-14521	Double	275	260	10,000	1.59	0.18	112	3/8-18NPT	49.5
	EPA-17521	Double	458	260	10,000	7.6	0.35	112	3/8-18NPT	66
Double Acting	EPA-14522	Double	275	260	10,000	1.59	0.18	112	3/8-18NPT	49.5
	EPA-17522	Double	458	260	10,000	7.6	0.35	112	3/8-18NPT	66

Model	A	B	C	D	E	F	H
	in	in	in	in	in	in	in
EPA-14521	22.8	23.9	6.4	10.8	12.4	9.8	10.5
EPA-14522	22.8	23.9	6.4	10.8	12.4	9.8	10.5
EPA-17521	31.5	35.6	8.3	10.8	12.4	9.8	12.4
EPA-17522	31.5	35.6	8.3	10.8	12.4	9.8	12.4

